

DATA SHEET

SAA7390

High performance Compact
Disc-Recordable (CD-R) controller

Preliminary specification
File under Integrated Circuits, IC01

1996 Jul 02

High performance Compact Disc-Recordable (CD-R) controller

SAA7390

CONTENTS		
1	FEATURES	
1.1	General	
1.2	Interface logic (CD-ROM operation)	
1.3	Hardware third-level error correction	
1.4	Interface logic (CD-R operation)	
1.5	DRAM buffer controller (256 kbytes × 8, 1 Mbyte × 8, 4 Mbytes × 8)	
1.6	Additional product support	
2	GENERAL DESCRIPTION	
3	QUICK REFERENCE DATA	
4	ORDERING INFORMATION	
5	BLOCK DIAGRAM	
6	PINNING	
7	FUNCTIONAL DESCRIPTION	
7.1	Input clock doubler	
7.2	Block encoder	
7.3	Front-end	
7.4	Track descriptor block	
7.5	Buffer manager	
8	MICROCONTROLLER INTERFACE	
8.1	Microprocessor interface status register	
8.2	Microcontroller interface command register	
8.3	Microprocessor interrupts	
8.4	Microcontroller RAM organization	
9	FRONT PANEL AND MISCELLANEOUS CONTROL SIGNALS	
9.1	S2B UART registers	
9.2	SPI UART registers	
9.3	Track Descriptor Block (TDB) generation	
9.4	Miscellaneous control registers	
10	FRONT-END	
10.1	Minute-second frame addressing and header information	
10.2	Front-end status and control	
11	BUFFER MANAGER	
		11.1 Front-end to buffer manager interface
		11.2 Microcontroller to buffer manager interface
		11.3 ECC to buffer manager interface
		11.4 SCSI to buffer manager interface
		11.5 Miscellaneous buffer manager considerations
		11.6 Host interface related registers
		11.7 CDB2 related registers
		12 FRAME BUFFER ORGANIZATION
		13 SUMMARY OF CONTROL REGISTER MAP
		14 LIMITING VALUES
		15 OPERATING CHARACTERISTICS
		15.1 I ² S-bus timing; data mode
		15.2 EIAJ timing; audio mode
		15.3 R-W timing (see Fig.17)
		15.4 C-flag timing (see Fig.18)
		15.5 S2B interface timing
		15.6 SPI interface timing
		15.7 Microprocessor interface
		15.8 Host interface
		15.9 DRAM interface (the SAA7390 is designed to operate with standard 70 ns DRAMs)
		16 PACKAGE OUTLINE
		17 SOLDERING
		17.1 Introduction
		17.2 Reflow soldering
		17.3 Wave soldering
		17.4 Repairing soldered joints
		18 DEFINITIONS
		19 LIFE SUPPORT APPLICATIONS

High performance Compact Disc-Recordable (CD-R) controller

SAA7390

1 FEATURES

1.1 General

- 8× speed CD-ROM, 4× speed Compact Disc-Recordable (CD-R) controller
- 16.9 Mbytes/s burst rate to host controller
- High performance CD-ROM and CD-R interface logic
- 128 pin QFP package.

1.2 Interface logic (CD-ROM operation)

- Full 8× speed hardware operation
- Block decoder
- Sector sequencer
- CRC checking of Mode 1 and Mode 2, Form 1 sectors
- 212 ms watch-dog timer
- Sub-code interface with synchronization
- C-flag interface for absolute time stamp.

1.3 Hardware third-level error correction

- Third-level correction provides superior performance in unfavourable conditions
- Full hardware error correction to reduce microcontroller overhead
- Corrections are automatically written to the DRAM frame buffer.

1.4 Interface logic (CD-R operation)

- Block encoder (using a modified CDB2).

1.5 DRAM buffer controller (256 kbytes × 8, 1 Mbyte × 8, 4 Mbytes × 8)

- DRAM buffer manager
- Ten level arbitration logic
- Utilizes low cost 70 ns DRAMs
- Page mode DRAM access for high-speed error correction and host interface data transfers
- Data organization by 3 kbytes frames.

1.6 Additional product support

- Input clock doubler
- All control registers mapped into 80C32 special function memory space
- Red book audio pass through to host interface
- Sub-code and Q-channel support

- Dedicated Serial Peripheral Interface (SPI)
- Third level error correction and encoding
- 80C32 microcontroller interface
- 53CF90 or 53CF92A/B fast SCSI processor interface (may also use ATAPI processor).

2 GENERAL DESCRIPTION

The SAA7390 is a high integration ASIC that incorporates all of the logic necessary to connect a CD-60 based decoder to a SCSI or ATAPI host. It also supports a data path from the host to the CDCEP (compact disc encoder) for CD-R applications. An 80C32 microcontroller and a 53CF94/92A (or an ATAPI interface device) are required to provide the full block encode/decode functions. The following functions are supported:

- Input clock doubler
- Block encoder (using a modified CDB2)
- Block decoder
- CRC checking of Mode 1 and Mode 2, Form 1 sectors
- Red book audio pass through to SCSI or ATAPI
- Sub-code and Q-channel support
- Dedicated S2B interface UART
- Dedicated SPI interface UART
- Up to 4 Mbytes DRAM buffer manager
- Third-level error correction and encoding
- Automatic storage of audio and data
- 80C32 microcontroller interface
- 53CF90 or 53CF92A/B fast SCSI or Wapiti ATAPI processor interface.

The SAA7390 uses a 33.8688 MHz clock and is capable of accepting data at eight times ($n = 8$ or 1.4 Mbytes/s) the normal CD-ROM data rate. The minimum host burst rate capability of the SAA7390 is 5 Mbytes/s.

Third level error correction hardware is included to improve the correction efficiency of the system. The buffer manager hardware utilizes a ten-level arbitration unit and can stop the clock to the static microcontroller to emulate a wait condition when necessary. The host interface is capable of burst rates to 16.9 Mbytes/s.

High performance Compact Disc-Recordable (CD-R) controller

SAA7390

The SAA7390 comprises four major functional blocks:

- The front-end block connects to the external CD-60 based decoder and fully processes the incoming data stream
- The buffer manager block provides the address generation and timing control for the external DRAMs
- The ECC block performs the error correction functions in hardware on the data stored in the DRAM buffer.
- The block encoder function (realized via a modified CDB2) serializes the data from the buffer, appends the sync pattern, header, sub-header, third level ECC parity and EDC bytes as necessary, performs the required scrambling and outputs them to the CDCEP using a special data clock (98 clock cycles per word selection period).

3 QUICK REFERENCE DATA

SYMBOL	PARAMETER	MIN.	TYP.	MAX.	UNIT
V _{DD}	digital supply voltage	4.5	5.0	5.5	V
T _{amb}	operating ambient temperature	0	–	70	°C
T _{stg}	storage temperature	–55	–	+150	°C

4 ORDERING INFORMATION

TYPE NUMBER	PACKAGE		
	NAME	DESCRIPTION	VERSION
SAA7390GP ⁽¹⁾	SQFP128	plastic quad flat package; 128 leads (lead length 1.6 mm); body 14 × 20 × 2.8 mm	SOT387-2

Note

1. This device uses a Symbios logic package.

High performance Compact Disc-Recordable (CD-R) controller

SAA7390

5 BLOCK DIAGRAM

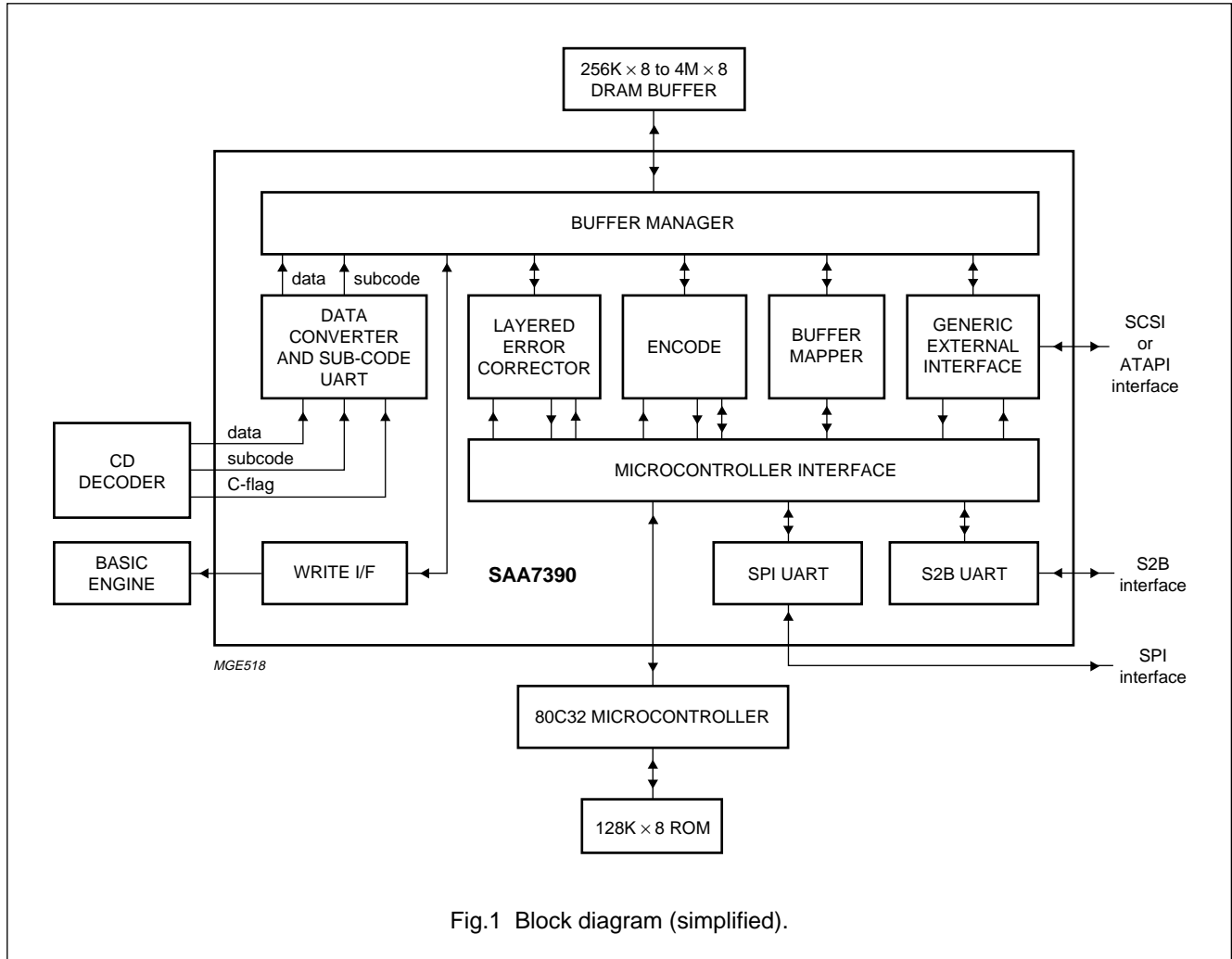


Fig.1 Block diagram (simplified).

6 PINNING

All input and bidirectional signals are TTL level with Schmitt-trigger logic, with the exception of OSCIN. All output signals are TTL levels unless otherwise stated. (PD = internal pull-down; PU = internal pull-up).

SYMBOL	PIN	I/O	TYPE	DESCRIPTION
DA0	1	O		DRAM address bus; bit DA0
DA1	2	O		DRAM address bus; bit DA1
DA2	3	O		DRAM address bus; bit DA2
V _{SS1}	4	—		ground 1
DA3	5	O		DRAM address bus; bit DA3
DA4	6	O		DRAM address bus; bit DA4
DA5	7	O		DRAM address bus; bit DA5
V _{SS2}	8	—		ground 2
DA6	9	O		DRAM address bus; bit DA6

High performance Compact Disc-Recordable (CD-R) controller

SAA7390

SYMBOL	PIN	I/O	TYPE	DESCRIPTION
DA7	10	O		DRAM address bus; bit DA7
V _{DD1}	11	–		power supply 1
DA8	12	O		DRAM address bus; bit DA8
DA9	13	O		DRAM address bus; bit DA9
DA10	14	O		DRAM address bus; bit DA10
$\overline{\text{RAS}}$	15	O		DRAM row address selection; active LOW
$\overline{\text{CAS}}$	16	O		DRAM column address selection; active LOW
$\overline{\text{DWR}}$	17	O		DRAM write; active LOW
$\overline{\text{DOE}}$	18	O		DRAM output enable; active LOW
DD0	19	I/O	PD	DRAM data bus; bit DD0
V _{DD2}	20	–		power supply 2
DD1	21	I/O	PD	DRAM data bus; bit DD1
DD2	22	I/O	PD	DRAM data bus; bit DD2
DD3	23	I/O	PD	DRAM data bus; bit DD3
DD4	24	I/O	PD	DRAM data bus; bit DD4
V _{SS3}	25	–		ground 3
DD5	26	I/O	PD	DRAM data bus; bit DD5
DD6	27	I/O	PD	DRAM data bus; bit DD6
DD7	28	I/O	PD	DRAM data bus; bit DD7
COM_IN	29	I		serial data in from basic engine
COM_OUT	30	O		serial data out to basic engine
COM_CLK	31	O		serial data clock
COM_ACK	32	I		serial data acknowledge
$\overline{\text{TRAYSW}}$	33	I	PU	active LOW when tray is in
EJECT	34	I	PU	opens tray; active LOW
LQDATA	35	O		latched qualified data
LWCLK	36	O		latched word clock
V _{DD3}	37	–		power supply 3
LED	38	O	CMOS; 24 mA	panel LED; active LOW; open drain; 24 mA (min.) sink capability
V _{SS4}	39	–		ground 4
SCLK	40	O		audio data clock
V _{SS5}	41	–		ground 5
SYSRES	42	O		system reset; active HIGH
$\overline{\text{SYSRES}}$	43	O		system reset; active LOW
V _{DD4}	44	–		power supply 4
GPIO3	45	I/O	PD	general purpose input/output 3
GPIO4	46	I/O	PD	general purpose input/output 4
$\overline{\text{VOLUP}}$	47	I	PU	volume up; active LOW
$\overline{\text{VOLDN}}$	48	I	PU	volume down; active LOW
UC_AD0	49	I/O		microprocessor multiplexed address/data bus; bit UC_AD0
UC_AD1	50	I/O		microprocessor multiplexed address/data bus; bit UC_AD1

High performance Compact Disc-Recordable (CD-R) controller

SAA7390

SYMBOL	PIN	I/O	TYPE	DESCRIPTION
UC_AD2	51	I/O		microprocessor multiplexed address/data bus; bit UC_AD2
UC_AD3	52	I/O		microprocessor multiplexed address/data bus; bit UC_AD3
V _{SS6}	53	–		ground 6
UC_AD4	54	I/O		microprocessor multiplexed address/data bus; bit UC_AD4
UC_AD5	55	I/O		microprocessor multiplexed address/data bus; bit UC_AD5
UC_AD6	56	I/O		microprocessor multiplexed address/data bus; bit UC_AD6
UC_AD7	57	I/O		microprocessor multiplexed address/data bus; bit UC_AD7
V _{DD5}	58	–		power supply 5
UC_LA0	59	O		latched lower address; bit UC_LA0
UC_LA1	60	O		latched lower address; bit UC_LA1
UC_LA2	61	O		latched lower address; bit UC_LA2
V _{SS7}	62	–		ground 7
UC_LA3	63	O		latched lower address; bit UC_LA3
UC_LA4	64	O		latched lower address; bit UC_LA4
UC_LA5	65	O		latched lower address; bit UC_LA5
UC_LA6	66	O		latched lower address; bit UC_LA6
UC_LA7	67	O		latched lower address; bit UC_LA7
V _{SS8}	68	–		ground 8
PCLK	69	O		33.8688 MHz microprocessor clock
V _{DD6}	70	–		power supply 6
ALE	71	I		address latch enable
$\overline{\text{UC_WR}}$	72	I		write enable
$\overline{\text{UC_RD}}$	73	I		read enable
$\overline{\text{INT}}$	74	O	CMOS	interrupt to microcontroller; active LOW; open drain
UC_A8	75	I		upper address; bit UC_A8
UC_A9	76	I		upper address; bit UC_A9
UC_A10	77	I		upper address; bit UC_A10
SYS_SYNC	78	I		system synchronization from basic engine
UC_A11	79	I		upper address; bit UC_A11
UC_A12	80	I		upper address; bit UC_A12
UC_A13	81	I		upper address; bit UC_A13
COM_SYNC	82	I		communication synchronization from basic engine
UC_A14	83	I		upper address; bit UC_A14
UC_A15	84	I		upper address; bit UC_A15
SD0	85	I/O		internal data bus; bit SD0
V _{DD6}	86	–		power supply 6
SD1	87	I/O		internal data bus; bit SD1
SD2	88	I/O		internal data bus; bit SD2
V _{SS9}	89	–		ground 9
SD3	90	I/O		internal data bus; bit SD3
SD4	91	I/O		internal data bus; bit SD4

High performance Compact Disc-Recordable (CD-R) controller

SAA7390

SYMBOL	PIN	I/O	TYPE	DESCRIPTION
SD5	92	I/O		internal data bus; bit SD5
SD6	93	I/O		internal data bus; bit SD6
SD7	94	I/O		internal data bus; bit SD7
V _{SS10}	95	–		ground 10
DREQ	96	I	PD	DMA request
$\overline{\text{DACK}}$	97	O		DMA acknowledge; active LOW
$\overline{\text{HOSTRD}}$	98	O		read enable; active LOW
$\overline{\text{HOSTWR}}$	99	O		write enable; active LOW
$\overline{\text{HOSTSEL}}$	100	O		chip select; active LOW
CSAB	101	I		word strobe for write data
CCLAB	102	I		clock for write data
CDAAB	103	O		write data stream
RXS2B	104	I	PU	receive data
TXS2B	105	O		transmit data
$\overline{\text{CPR}}$	106	O		ready to accept data; active LOW
$\overline{\text{SCSIRST}}$	107	I		reset from SCSI bus; active LOW
$\overline{\text{POR}}$	108	I		power-on reset; active LOW
TCL_GPIO1	109	I/O	PD	general purpose input/output 1 (also used as test-mode clock)
$\overline{\text{SPR}}$	110	I		ready to send data; active LOW
TDA_GPIO2	111	I/O	PD	general purpose input/output 2 (also used as test-mode data)
$\overline{\text{HFD}}$	112	I		laser on and focused status; active LOW
$\overline{\text{KILL}}$	113	I	PU	mute audio; active LOW
V _{SS11}	114	–		ground 11
MCOUT	115	O		motor control output from PWM
MCIN	116	I	PD	motor control input from decoder
RXSUB	117	I	PU	sub-code input
CFLAG	118	I	PU	C1 and C2 status
V _{SS12}	119	–		ground 12
OSCIN	120	I		input clock from decoder
V _{DD7}	121	–		power supply 7
CLAB	122	I		clock input
DAAB	123	I		data input
WSAB	124	I		word strobe input
EFAB	125	I		error flags
V _{SS13}	126	–		ground 13
CLK34	127	O		33.8688 MHz output clock
V _{DD8}	128	–		power supply 8

High performance Compact Disc-Recordable (CD-R) controller

SAA7390

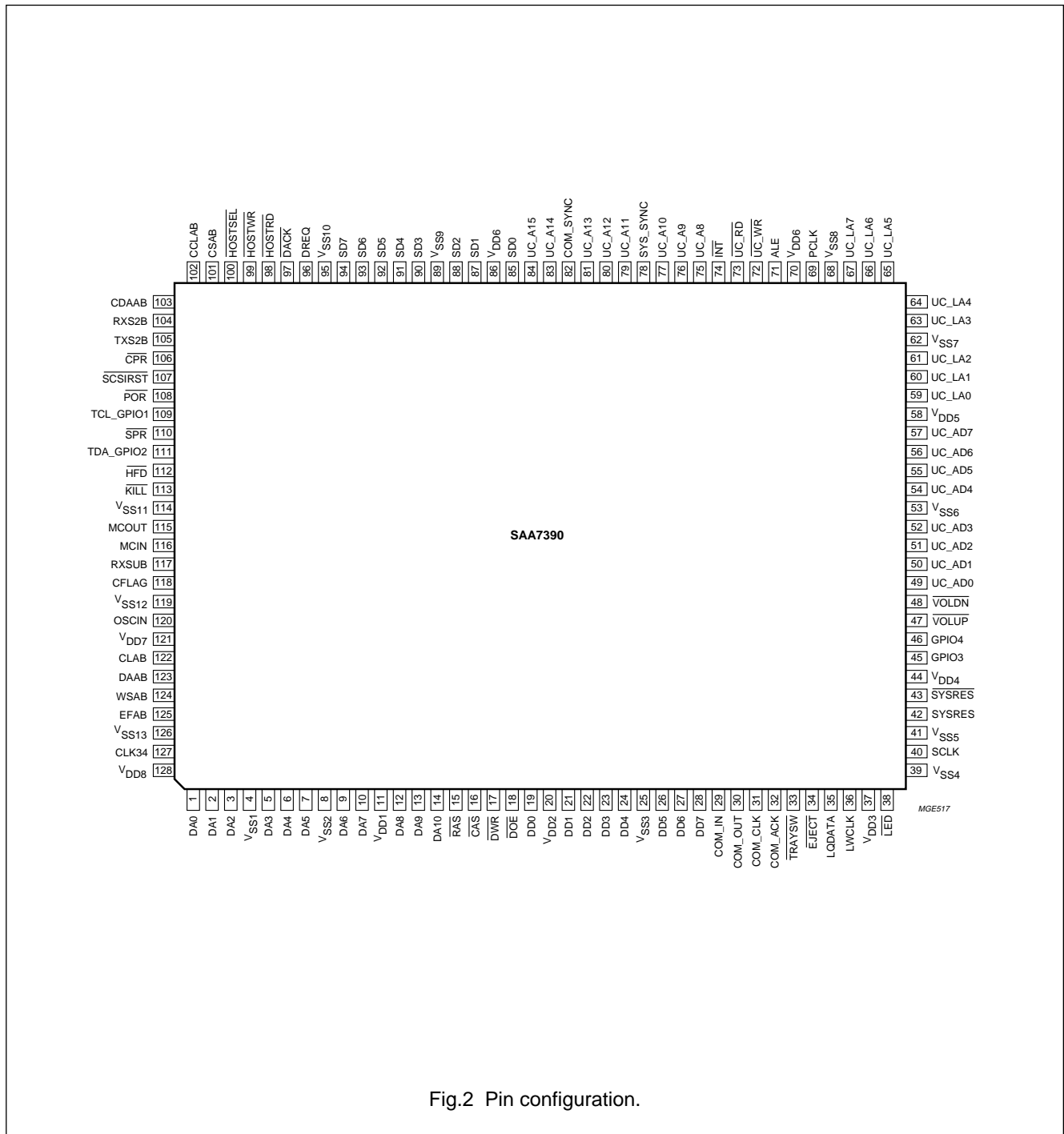


Fig.2 Pin configuration.

High performance Compact Disc-Recordable (CD-R) controller

SAA7390

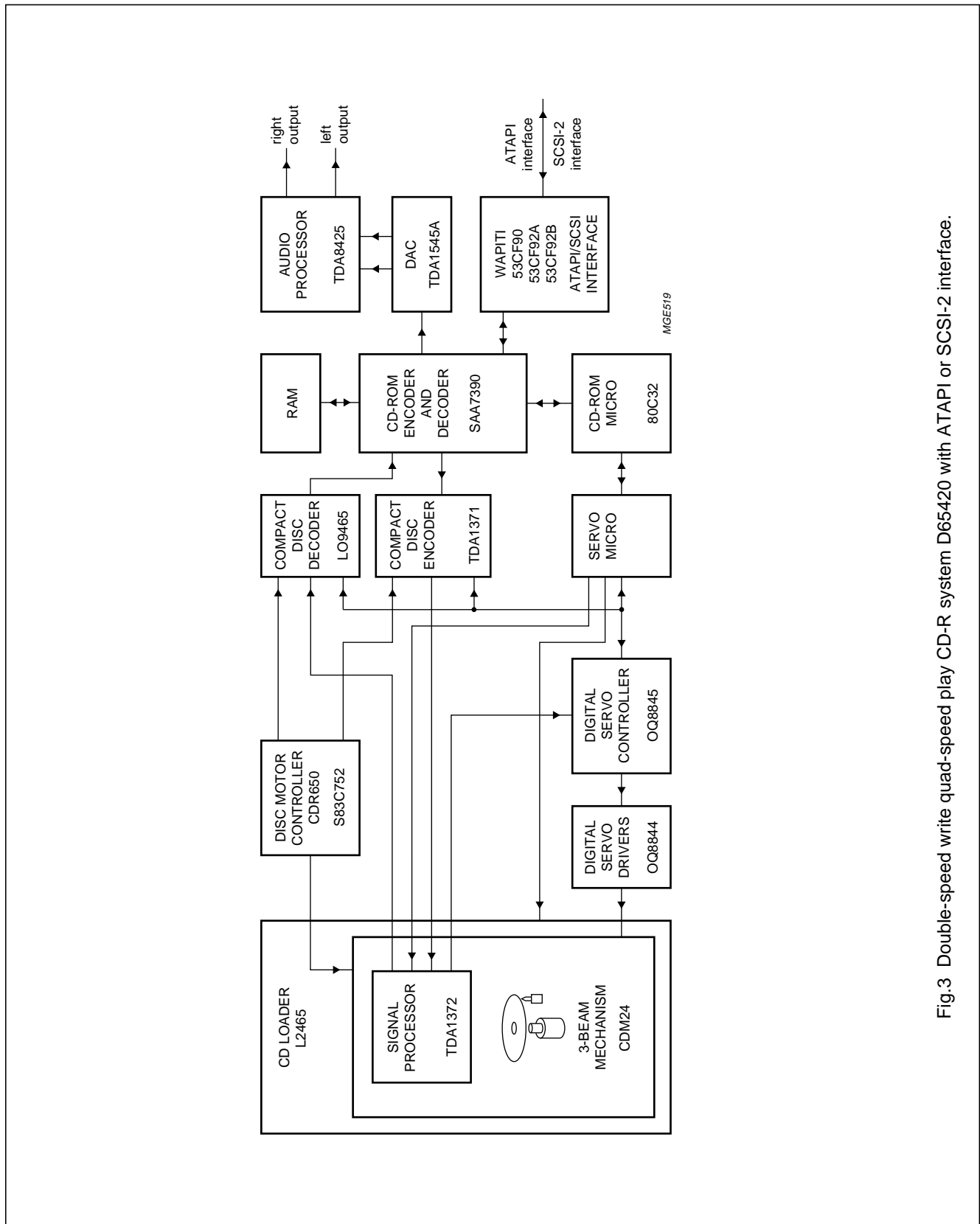


Fig.3 Double-speed write quad-speed play CD-R system D65420 with ATAPI or SCSI-2 interface.

High performance Compact Disc-Recordable (CD-R) controller

SAA7390

7 FUNCTIONAL DESCRIPTION

7.1 Input clock doubler

To facilitate compatibility of the SAA7390 with all of the available CD decoders, a clock doubler has been included. This clock doubler may take a 16.9344 MHz clock and double this when requested to do so by the microcontroller. Logic has been included to remove the possibility of a 'runt' clock pulse when the doubler is engaged. Once engaged, the only way to disengage it is via a reset condition.

7.2 Block encoder

To support the write function, a modified version of the CDB2 function has been included. The block encoder accepts parallel data from the buffer manager, serializes it, calculates the CRC and third-level ECC parity bytes and appends them when and where necessary. The RAM required during the parity calculation is included on the SAA7390.

The following modifications to the CDB2 have been made:

- Word select in bypass mode has been inverted to match the data mode
- The 'end-of-frame' signal is now generated during the bypass and CD-ROM mode and will interrupt the microcontroller at the end of each frame
- The 'end-of-frame' signal is also used to correctly synchronize between bypass mode and regular data mode at the end of a frame. The modes programmed into the CDB2 command, header, sub-header and block size registers will automatically switch in or out at the end of frame
- DRQ in CCMD is also synchronized to frame boundaries using the 'end-of-frame' signal. This change is valid for both bypass and regular data modes.

7.3 Front-end

The front-end section of the SAA7390 is identical to the front-end of the mini-SEQUOIA (also found on the SAA7385), with the exception of the Serial Peripheral Interface (SPI). The front-end is comprised of many sub-sections.

7.3.1 BLOCK DECODER

The block decoder first reverses the bits of each received byte and then runs them through a linear feedback shift register to be de-scrambled. The polynomial used to de-scramble the serial data is as follows: $X^{15} + X + 1$

It also detects and tests the synchronization field and will start the data clock when commanded. The de-scrambled header is assembled into four registers with header ready and header error status (see HDRRDY and HDRERR in RDDSTAT). The data clock does not have to be enabled to receive valid headers.

Also included in this section is the logic required to decide when to automatically start collecting data and sub-code information based on the contents of the Q-channel registers.

7.3.2 SECTOR SEQUENCER

The sector sequencer de-serializes the data and error flags from the block decoder and determines when to:

- Write data to the buffer
- Write flags to the buffer
- Test the header to determine the Mode
- Test the sub-header to determine the Form
- Test the CRC
- End the sector and write the status byte to the buffer.

Included in the sector sequencer is the CRC generator which checks each Yellow book or Green book sector as it is shifted into the SAA7390 in accordance with the following polynomial:

$$X^{32} + X^{31} + X^{16} + X^{15} + X^4 + X^3 + X + 1$$

The status of each sector is saved and written to the buffer at the end of the sector.

7.3.3 SUB-CODE RECEIVE AND Q-CHANNEL EXTRACTOR

A UART which samples asynchronous bits on a 24 clocks per bit basis is included. This is required because the CD-60 based decoders output the sub-code data at nominally 24 clocks per bit, but not synchronized to the data. Also included is a sub-code synchronization detector which senses the beginning of each new sector of sub-code information. The serial sub-code information is assembled into bytes in the following order:

Data bits 7 to 0 = 0, Q, R, S, T, U, V and W.

As each byte is assembled, it is sent to the buffer manager to be written to the DRAM buffer. At the same time, the Q-channel bits are assembled into bytes and sent to the buffer. All Q-channel bytes except CRC are sorted in registers for use by the microcontroller. The Q-channel CRC (last two bytes) is checked just before the end of the sub-code sector. If the CRC check fails, BADQ in RDDSTAT is available to the microcontroller and is written into the buffer at the end of the sector.

High performance Compact Disc-Recordable (CD-R) controller

SAA7390

When the ten Q-channel registers have been updated, QFRMRDY in RDDSTAT is set. The ten Q-channel registers are valid while QFRMRDY is set. In the audio mode, HDRRDY in RDDSTAT generates this interrupt, but the QFRMRDY bit will still be available as status to the microcontroller.

7.3.4 C-FLAG RECEIVER

The C-flag bits, or corrector flags, are also 24 data clocks long and reception of these bits is achieved using the same method as for the sub-code; in this event, the C-flag data is synchronized to the data.

The difference is that only one bit is used; F1, the absolute time synchronization information. When in audio mode and ENABRED in FECTL is set, receipt of F1 set will start the internal data clock after the next rising edge of word strobe (WSAB) which is the left channel sample when the CD-60 decoder is programmed for EIAJ audio format. When in audio mode, the Q-channel information provides the MSF address and the F1 flag provides the start of frame information; together these provide an absolute byte address on the disc.

7.3.5 S2B UART

This UART is provided for communication with a second slave microcontroller. It is hard-wired for one start-bit, eight data bits, a parity bit and one stop bit. Parity testing can be programmed to be either odd parity or even parity. Parity error and over-run status are provided via PE and OVRRUN in S2BSTAT. Selectable baud rates of 31.25, 62.5 and 187.5 kbaud are available via S2BSEL1 and S2BSEL0 in BRGSEL. Once the start-bit is found, the data sampling time does not adapt dynamically, therefore parity errors may occur depending on the baud rate selected.

7.3.6 SPI UART

This UART is provided for communication with a second slave microcontroller used in Philips CD-R engines.

7.3.7 WATCH-DOG TIMER

A pair of counters are included which output a 967 μ s reset pulse to the entire chip and the SYSRES and $\overline{\text{SYSRES}}$ pins if the timer is not reset during the 212 ms time-out period. The watch-dog timer is reset by setting RWMD in FECTL HIGH then LOW. If RWMD is left HIGH, the watch-dog function is disabled.

7.3.8 GLUE LOGIC (GLIC)

The final block of logic in the front-end consists of: a programmable, linear pulse-width modulator for spindle-motor control; an address de-multiplexer for the address/data bus of the microcontroller; plus audio multiplexing and muting circuitry for full control of Red book audio data to an external Digital-to-Analog Converter (DAC).

7.4 Track descriptor block

Logic has been included to simplify the creation of the track descriptor block. This is achieved by allowing one frame to be repeated a selectable number of times. Once this repeated pattern is complete, the normal data is then sent to the front-end.

High performance Compact Disc-Recordable (CD-R) controller

SAA7390

7.5 Buffer manager

The buffer manager provides the arbitration for the different processes that wish to access the DRAM buffer. These processes include the front-end, microcontroller requests, CDB2 accesses, ECC accesses, host interface requests and DRAM refreshing.

To manage a DRAM interface with up to four devices requesting access to the DRAM, the following priority scheme is used. The DRAM control logic will start an access on the next rising edge of the clock after a request is received. If two or more requests are pending then the priority is:

1. Front-end (highest priority)
2. A refresh cycle (required every 15.6 μ s) granted priority for one access
3. Microcontroller requests
4. Host interface requests
5. ECC requests (lowest priority).

A burst access by ECC or host interface will only be interrupted by a higher priority access request.

In addition to the priority logic, logic is required for the front-end sources of data. The priority is; CDB2 requests (highest) frame data, flag data, sub-code data, Q-channel data and finally status byte. All front-end sources are granted priority over the host interface logic, ECC, refresh and data will be written into the frame store during the next cycle. However, the microcontroller has priority over the lower three front-end sources and will be granted an access after front-end frame data or flag data is written to memory.

The required timing (see Figs 4 to 11) operate with the industry standard 70 ns DRAMs. The interface is designed to operate with 256 kbytes, 1 Mbyte, and 4 Mbytes of DRAM. A single byte access cycles requires five clock cycles of 29.5 ns each, totalling 147.5 ns.

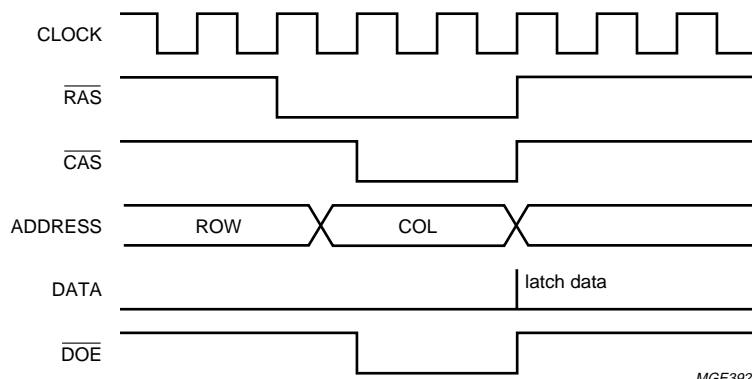


Fig.4 Byte mode single access read cycle.

High performance Compact Disc-Recordable (CD-R) controller

SAA7390

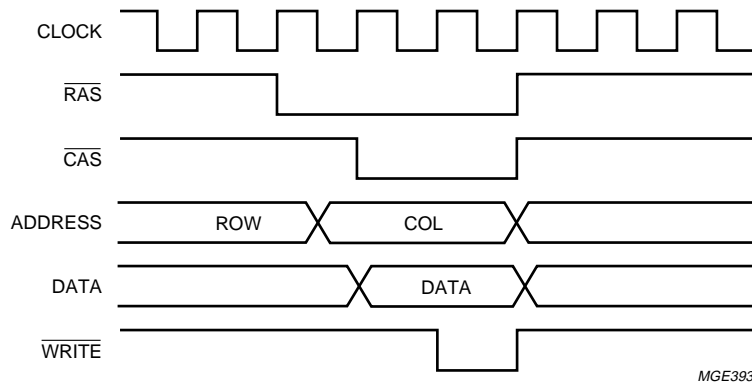


Fig.5 Byte mode single access write cycle.

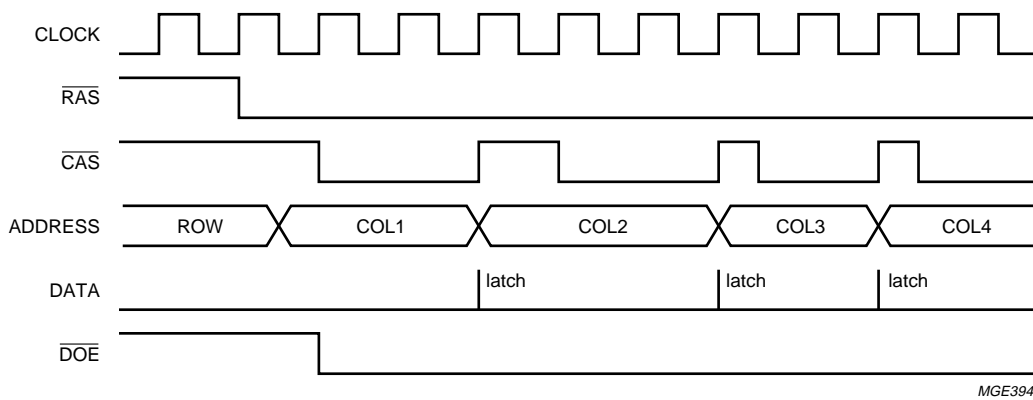
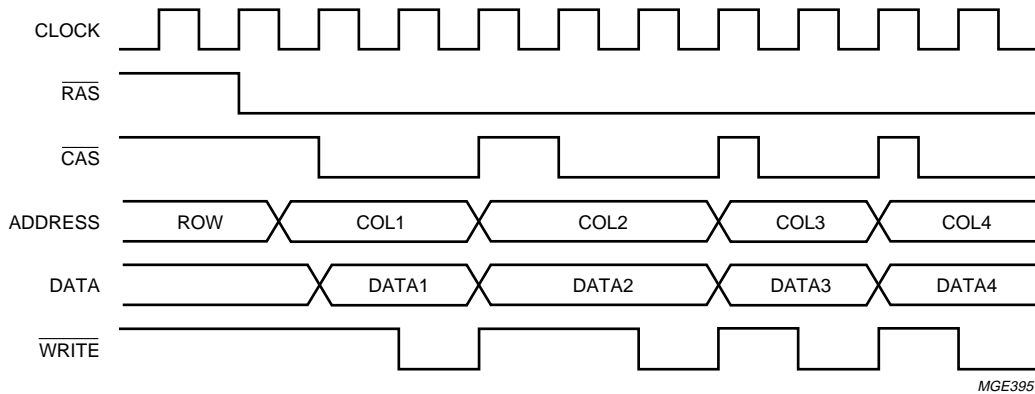


Fig.6 ECC burst access read cycle.

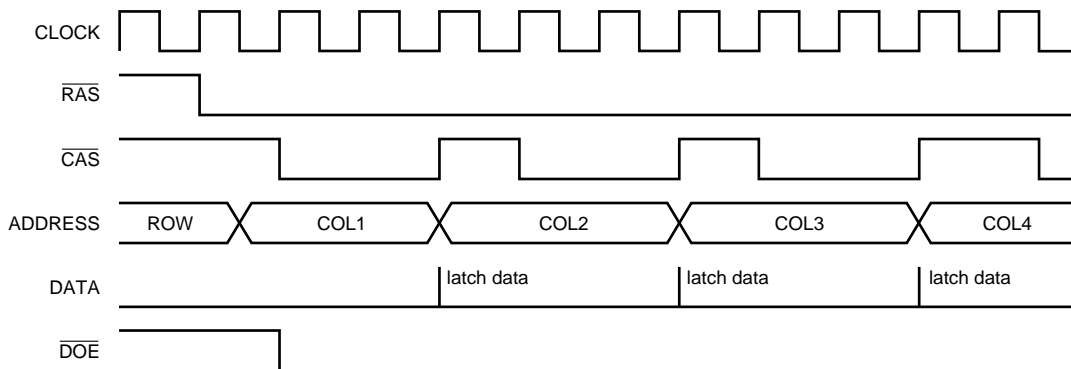
High performance Compact Disc-Recordable (CD-R) controller

SAA7390



MGE395

Fig.7 ECC burst access write cycle.



MGE396

Fig.8 Host interface fast burst access read cycle (2 clocks).

High performance Compact Disc-Recordable (CD-R) controller

SAA7390

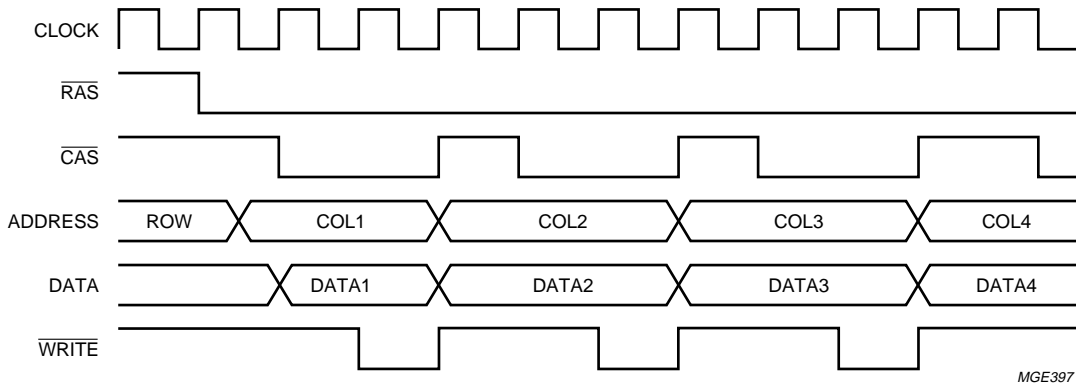


Fig.9 Host interface fast burst access write cycle (2 clocks).

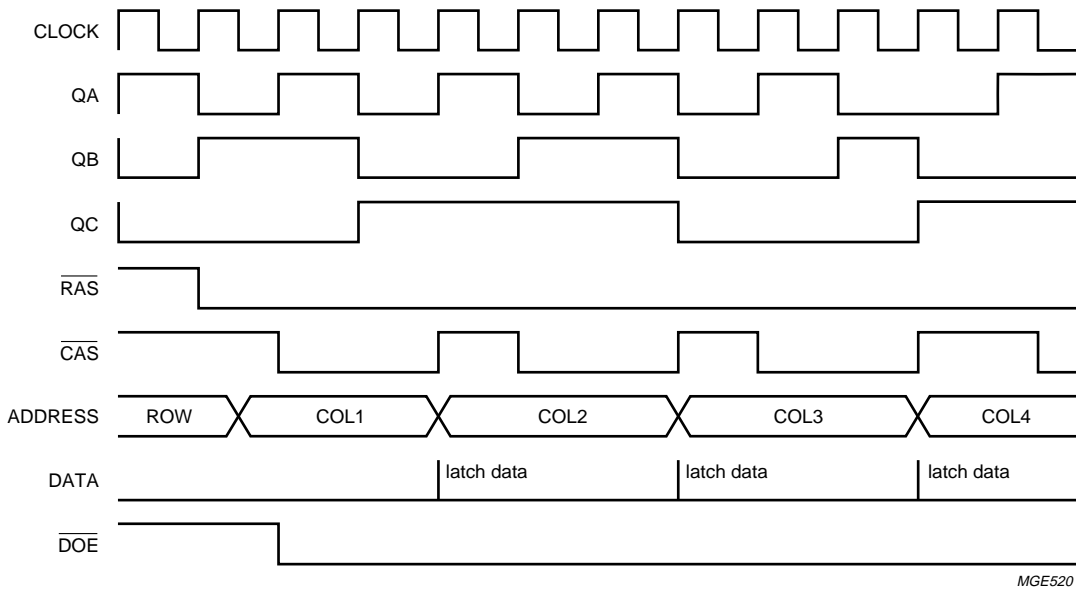


Fig.10 Host interface standard burst access read cycle (3 clocks).

High performance Compact
Disc-Recordable (CD-R) controller

SAA7390

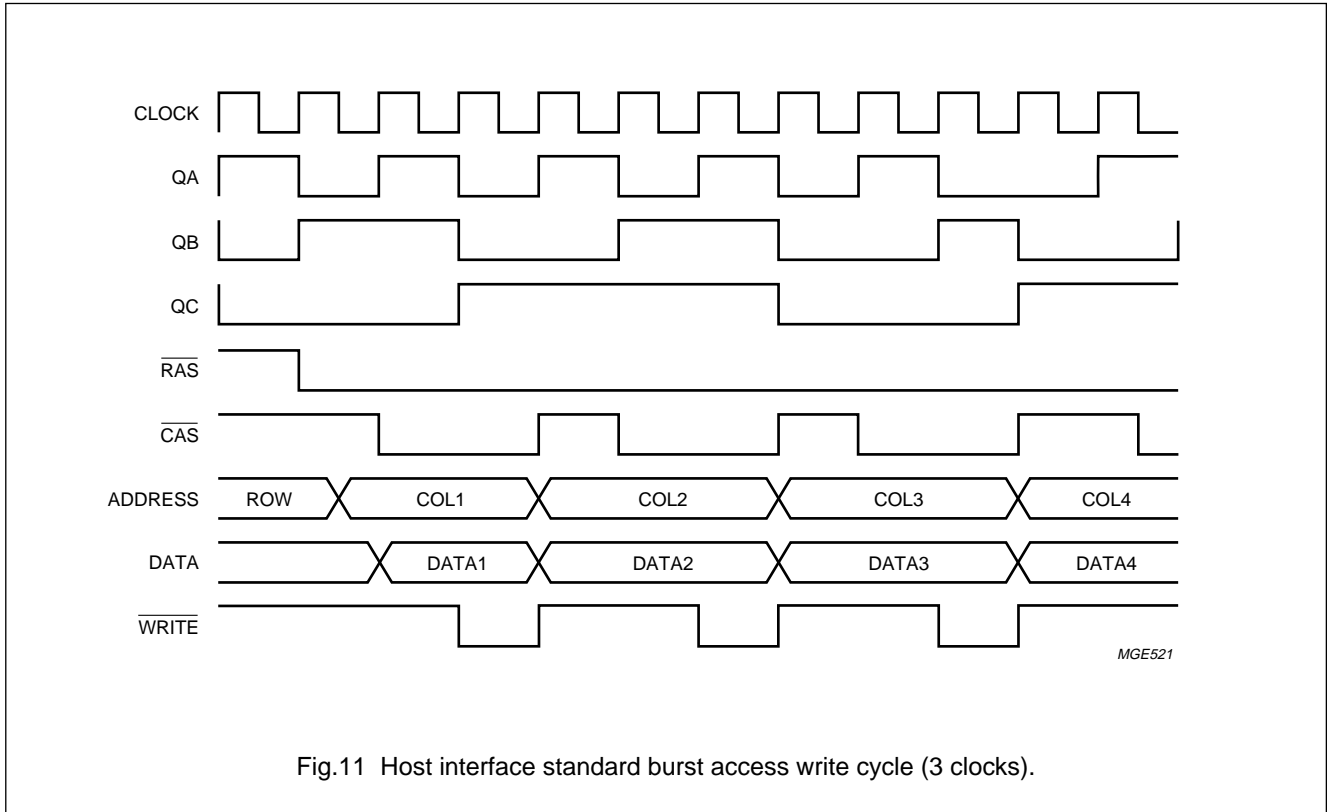


Fig.11 Host interface standard burst access write cycle (3 clocks).

8 MICROCONTROLLER INTERFACE

8.1 Microprocessor interface status register

Table 1 NUM_COR register: 0xF08E; note 1

MNEMONIC	R/W	DATA BYTE							
		7	6	5	4	3	2	1	0
NUM_COR	R	NUM_COR7 to NUM_COR0							

Note

- Register 0xF08E indicates the number of corrections performed during the most recently executed CORRECT_P_SYNDROMES or CORRECT_Q_SYNDROMES command. Note that NUM_COR is only valid after completion of the CORRECT_P_SYNDROMES or CORRECT_Q_SYNDROMES command, and becomes invalid upon execution of any other command.

Table 2 ECC_STATUS register: 0xF086; note 1

MNEMONIC	R/W	DATA BYTE							
		7	6	5	4	3	2	1	0
ECCSTAT	R	-	-	-	FLG_EQ0	CRC_EQ0	PS_EQ0	QS_EQ0	ECC_ACT

Note

- Register 0xF086 provides status information on the current or last ECC command.

High performance Compact Disc-Recordable (CD-R) controller

SAA7390

Table 3 ECCSTAT definitions

MNEMONIC	DESCRIPTION
ECC_ACT	asserted while a command other than ASSERT_ABORT or RELEASE_ABORT remains active
QS_EQ0	asserted when all Q syndromes are zero
PS_EQ0	asserted when all P syndromes are zero
CRC_EQ0	asserted when the CRC remainder calculated by the CRC_CALCULATE command is all zeros
FLG_EQ0	asserted when all flag bytes in ECC RAM are zero

8.2 Microcontroller interface command register**Table 4** ECCCTL register: 0xF085; note 1

MNEMONIC	R/W	DATA BYTE							
		7	6	5	4	3	2	1	0
ECCCTL	R/W	–	–	–	–	ECC_COMMAND3 to ECC_COMMAND0			

Note

1. The ECC_COMMAND definitions are explained in Table 5.

Table 5 Definitions of ECC_COMMAND3 to ECC_COMMAND0

ECC_COMMAND	DESCRIPTION
0000	ASSERT_ABORT
0001	RELEASE_ABORT
0010	CALCULATE_SYNDROMES (not Mode 2, Form 1)
0011	CALCULATE_SYNDROMES (Mode 2, Form 1)
0100	CRC_RECALCULATE (not Mode 2, Form 1)
0101	CRC_RECALCULATE (Mode 2, Form 1)
0110	COPY_RESULTS (not Mode 2, Form 1)
0111	COPY_RESULTS (Mode 2, Form 1)
1000	CORRECT_P_SYNDROMES
1001	CORRECT_Q_SYNDROMES
1100	TEST_ECC_ROM
1101	TEST_ECC_RAM_READ
1110	TEST_ECC_RAM_WRITE

Table 6 Command descriptions

COMMAND	DESCRIPTION
ASSERT_ABORT	Terminates any currently active operation and re-initializes the ECC logic. Remains in reset state until occurrence of the RELEASE_ABORT command. At power-on reset, the ECC is in the ASSERT_ABORT state. All microprocessor status bits are reset when the ECC is in the ASSERT_ABORT state.
RELEASE_ABORT	Terminates the ASSERT_ABORT command and enables activation of other commands.

High performance Compact Disc-Recordable (CD-R) controller

SAA7390

COMMAND	DESCRIPTION
CRC_RECALCULATE	Calculate CRC remainder buffer data, storing result in ECC RAM and updating microprocessor status bit CRC_EQ0. Mode 2, Form 1 uses address 16 : 2075, or 0 : 2067; note 1
CALCULATE_SYNDROME S	Prepares buffer for correction, calculates P and Q syndromes, and copies error flags and CRC remainder from buffer to ECC RAM. The microprocessor status bits PS_EQ0, QS_EQ0 and FLAGS_EQ0 are updated at the end of this operation. <ol style="list-style-type: none"> Copy header from buffer to ECC RAM (Mode 2, Form 1 only) Write to the buffer. Not Mode 2, Form 1: Address 0 → 0x00; Address 1 : 10 → 0xFF; Address 11 → 0x00; Address 2068 : 2075 → 0x00 Mode 2, Form 1: Address 0 → 0x00; Address 1 : 10 → 0xFF; Address 11 : 15 → 0x00 Read header and frame data from buffer to calculate P and Q syndromes psyn[0 : 85].s1, psyn[0 : 85].s0, qsyn[0 : 51].s1 and qsyn[0 : 51].s0, storing results in ECC RAM Copy error flags from buffer to ECC RAM Copy CRC remainder from buffer to ECC RAM Update microprocessor status bits PS_EQ0, QS_EQ0 and FLAGS_EQ0.
COPY_RESULTS	Copies current ECC RAM contents to the buffer memory: <ol style="list-style-type: none"> Copy header flags from ECC RAM to buffer (Mode 2, Form 1 only) Copy error Flags from ECC RAM to buffer Copy CRC remainder from ECC RAM to buffer Copy P syndromes from ECC RAM to buffer Copy Q syndromes from ECC RAM to buffer.
CORRECT_P_SYNDROME S	Scan all P syndromes and perform P-syndrome calculation. The microprocessor status bits PS_EQ0, QS_EQ0 and FLAGS_EQ0 are updated at the end of this operation.
CORRECT_Q_SYNDROME S	Scan all Q syndromes and perform Q-syndrome calculation. The microprocessor status bits PS_EQ0, QS_EQ0 and FLAGS_EQ0 are updated at the end of this operation.
TEST_ECC_ROM	Read each exponent and log in the alpha ROM to the NUM_COR register. This command may only be terminated by the ASSERT_ABORT command.
TEST_ECC_RAM_READ	Read ECC RAM addresses 0 : 591 and copy to buffer addresses 0 : 591.
TEST_ECC_RAM_WRITE	Read buffer addresses 0 : 591 and copy to ECC RAM addresses 0 : 591.

Note

- 16 : 2075 and 0 : 2067 are address frame offsets. The frame buffer organization is shown in Table 76.

High performance Compact Disc-Recordable (CD-R) controller

SAA7390

8.3 Microprocessor interrupts

An interrupts pulse is generated upon completion of any of the following commands:

- CALCULATE_SYNDROMES (not Mode 2, Form 1)
- CALCULATE_SYNDROMES (Mode 2, Form 1)
- CRC_RECALCULATE (not Mode 2, Form 1)
- CRC_RECALCULATE (Mode 2, Form 1)
- COPY_RESULTS (not Mode 2, Form 1)
- COPY_RESULTS (Mode 2, Form 1)
- CORRECT_P_SYNDROMES
- CORRECT_Q_SYNDROMES
- TEST_ECC_ROM
- TEST_ECC_RAM_READ
- TEST_ECC_RAM_WRITE.

If a command is aborted by the ASSERT_ABORT command, a spurious interrupt may be generated within five clock cycles of the ASSERT_ABORT command.

Table 7 Command execution times; note 1

COMMAND	CYCLES	TIME (μ s) at 33 MHz	MEMORY ACCESSES
CALCULATE_SYNDROMES (not Mode 2, Form 1)	5604	186.8	2658
CALCULATE_SYNDROMES (Mode 2, Form 1)	5600	186.7	2654
CRC_RECALCULATE (not Mode 2, Form 1)	4136	137.9	2068
CRC_RECALCULATE (Mode 2, Form 1)	4120	137.3	2060
COPY_RESULTS (not Mode 2, Form 1)	1148	38.3	574
COPY_RESULTS (Mode 2, Form 1)	1156	38.5	578
CORRECT_P_SYNDROMES (maximum addition per correction)	1466 157	48.9 5.2	0 2
CORRECT_Q_SYNDROMES (maximum addition per correction)	888 167	29.6 5.6	0 2
TEST_ECC_RAM_READ	1184	39.5	592
TEST_ECC_RAM_WRITE	1184	39.5	592

Note

1. All times indicated reflect two clock cycles per memory access for all accesses other than P and Q corrections. P and Q corrections reflect seven clock cycles per memory access. Execution times will be extended due to refresh timing, other buffer traffic, and configuration of nibble-wide memory.

8.3.1 INTERRUPT REGISTER DEFINITIONS

Two registers are used to control the operation of the interrupt logic. The register INTRMSK allows each interrupt to be enabled or disabled. INTRMSK and INTRFLG are cleared on reset to initially disable and clear all interrupts; the output latch controlling the INT line is set on a reset; this must be cleared by writing 0x00 to INTRFLG. To enable an interrupt, the bit that corresponds to the interrupt in INTRFLG must be set. The INTRFLG register shows the status of the interrupts. If any bit is HIGH then an interrupt has occurred since the last time the bit was cleared. Writing a zero to any

High performance Compact Disc-Recordable (CD-R) controller

SAA7390

bit location in INTRFLG will clear the corresponding interrupt. If a masked interrupt occurs, the microcontroller can still detect the occurrence because the event is still posted in INTRFLG.

Table 8 Interrupt mask register: 0xF0FB

MNEMONIC	R/W	DATA BYTE							
		7	6	5	4	3	2	1	0
INTRMSK	R/W	MASK7	MASK6	MASK5	MASK4	MASK3	MASK2	MASK1	MASK0

Each bit in register 0xF0FB corresponds to the interrupt at the same bit location in register 0xF0FC. To enable an interrupt, the bit in this register must be set HIGH.

Table 9 Interrupt flag register: F0FC; note 1

MNEMONIC	R/W	DATA BYTE							
		7	6	5	4	3	2	1	0
INTRFLG	R/W	CDB2INT	FETXINT	FERXINT	ECC_COR	FE_HDR	FE2352	STR_LST	FRM_STR

Note

1. If any bit is set in this register an interrupt is sent to the microcontroller. Table 10 shows when the interrupts are asserted; assuming the corresponding mask bit is set.

Table 10 INTRFLG field descriptions

FIELD	DESCRIPTION
FRM_STR	set one when one complete frame is stored
STR_LST	set at the start of the last frame
FE_2352	set if the front-end data exceeds 2352 bytes
FE_HDR	front-end interrupt for header (or Q channel) ready
ECC_COR	ECC interrupt for correction complete
RFERXINT	front-end interrupt for receive ready
FETXINT	front-end interrupt for transmit ready
CDB2INT	CDB2 interrupts: see CSTAT (Table 78) for bit descriptions

8.4 Microcontroller RAM organization

MICFRM# is used to determine the frame address for the microcontroller access through the frame window 0x8000 to 0x8FFF. To obtain the actual byte location within the buffer RAM, the lower 12 bits of the microcontroller address form the relative offset and hence the absolute address is found.

Note that the microcontroller has the option of addressing memory in a linear fashion using the 32 kbytes address

space between 0x000 and 0x7FFF. If this 32 kbytes page is used, the PAGEREG must be programmed with the required page address. PAGEREG is used to select the required page when the microcontroller makes a linear access to the buffer memory using the address space 0x7000 to 0x7FFF. The actual address is the fifteen LSBs from the microcontroller plus 32768 times the value in PAGEREG.

High performance Compact Disc-Recordable (CD-R) controller

SAA7390

Table 11 Microcontroller frame number address registers: 0xF0F6 and 0xF0F7; note 1

MNEMONIC	R/W	DATA BYTE							
		7	6	5	4	3	2	1	0
MICFRM#	R/W	FRAME7	FRAME6	FRAME5	FRAME4	FRAME3	FRAME2	FRAME1	FRAME0
MICFRM#	R/W	–	–	–	–	–	FRAME10	FRAME9	FRAME8

Note

1. Registers 0xF0F6 and 0xF0F7 provide the frame number address for the microcontroller access to memory. The counter associated with these registers is loaded after the most significant byte is written; the least significant byte must be written first to ensure that the counter is loaded correctly. If a DRAM access is in progress that uses the address from the counter, the update will be delayed until the access is complete.

Table 12 Microcontroller address page register: 0xF0FF; note 1

MNEMONIC	R/W	DATA BYTE							
		7	6	5	4	3	2	1	0
PAGEREG	R/W	–	MA_21	MA_20	MA_19	MA_18	MA_17	MA_16	MA_15

Note

1. Register 0xF0FF is used by the buffer manager for the upper address lines when the microcontroller addresses non-frame memory. These registers overlap frame memory, so register 0xF0FF must be programmed with an address in the top part of the memory if no overlap is required. The microcontroller page address line is selected from this register. The outputs are used directly to control DRAM access cycles, and will affect any current DRAM cycle in progress.

It is possible to access three contiguous frames from the microcontroller by reading the three data sector windows, 0x8000 to 0x8FFF, 0x9000 to 0x9FFF and 0xA000 to 0xAFFF. This function is required for the decoding of the sub-code information. If the 'next' frame wraps past the last frame pointer (LASTFRM) then the pointers are modified to wrap back to the start pointer onwards (FEFRM#); this section is transparent to the microcontroller.

High performance Compact
Disc-Recordable (CD-R) controller

SAA7390

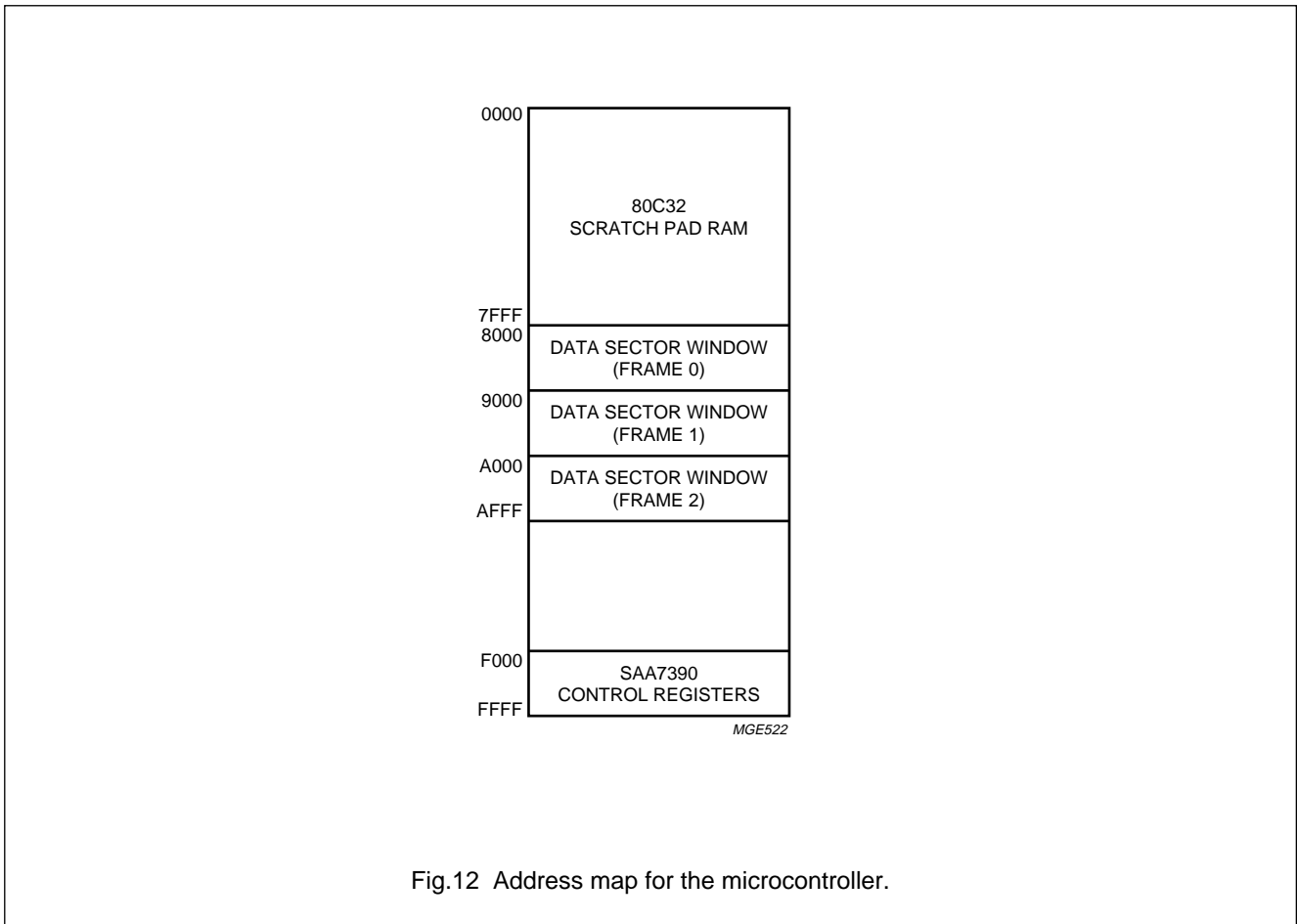


Fig.12 Address map for the microcontroller.

Table 13 SAA7390 address map details for the 80C32

ADDRESS	FUNCTION
0000 to 7FFF	This 32 kbytes window is used to address and portion the DRAM buffer. It is intended for non-frame mapped memory to be addressed through this window. The upper page address bits (to address the full range of the DRAM buffer) are set by the linear address page register (PAGEREG).
8000 to 8FFF	All accesses to frame memory use this window to read or write to the buffer memory. The actual address to the DRAM buffer is Micro Frame Number (MICFRM#) times 3 k plus the 12 LSBs from the 80C32.
9000 to 9FFF	This frame window is identical to the frame 0 window with the exception that one is added to the value from the Micro Frame Number (MICFRM#).
A000-AFFF	This frame window is identical to the frame 0 window with the exception that two is added to the value from the Micro Frame Number (MICFRM#).
B000-EFFF	Not used; output 3-state.
F000-FFFF	SAA7390 control registers.

High performance Compact Disc-Recordable (CD-R) controller

SAA7390

9 FRONT PANEL AND MISCELLANEOUS CONTROL SIGNALS

This Chapter describes the various SAA7390 control signals; front panel and basic engine signals, jumper settings and use of the general purpose signals.

Table 14 Start clock doubler: 0xF091

MNEMONIC	R/W	DATA BYTE							
		7	6	5	4	3	2	1	0
CLKSEL	W	–	–	–	–	–	–	–	–

A write of any value to this address will engage the clock doubler. The state of the doubler may be obtained by reading C_34_16 in BRGSEL (see Table 26). If this bit is set then the clock doubler is engaged. On power-on, the clock doubler is disabled. Once the clock doubler is engaged, it can only be reset by one of the reset sources; a power-on reset, an SCSI reset or a reset from the watch-dog timer. The clock doubler must not be engaged when a 34.8688 MHz clock is connected to OSCIN (pin 120).

Table 15 General logic control register: 0xF0B9; note 1

MNEMONIC	R/W	DATA BYTE							
		7	6	5	4	3	2	1	0
WTGCTL	W	–	–	PWMSEL	$\overline{\text{LED}}$	LA_MUTE	RA_MUTE	CHANNEL1	CHANNEL0

Note

1. Register 0xF0B9 controls the audio mixing, the LED and the PWM control.

Table 16 WTGCTL field descriptions

FIELD	LOGIC	DESCRIPTION
CHANNELS	00	mute
	01	right data sent to both channels
	10	left data sent to both channels
	11	stereo
RA_MUTE	–	right channel digital mute
LA_MUTE	–	left channel digital mute
$\overline{\text{LED}}$	–	active LOW control for the light emitting diode
PWMSEL	0	CD decoder output (default); e.g. CD-60 MOTO1 output
	1	PWM output

Table 17 Drive switches register: 0xF0BA; note 1

MNEMONIC	R/W	DATA BYTE							
		7	6	5	4	3	2	1	0
RDSW	R	–	–	–	$\overline{\text{HFD}}$	$\overline{\text{VOLUP}}$	$\overline{\text{VOLDN}}$	$\overline{\text{EJECT}}$	$\overline{\text{TRAYSW}}$

Note

1. Register 0xF0BA is used for sensing the drive switches (note that the meaning of the switches is application specific).

High performance Compact Disc-Recordable (CD-R) controller

SAA7390

Table 18 RDSW field descriptions

FIELD	LOGIC	DESCRIPTION
$\overline{\text{TRAYSW}}$	0	tray position in
	1	tray position out
$\overline{\text{EJECT}}$	–	user is requesting the drive tray to open (active LOW)
$\overline{\text{VOLDN}}$	–	user is requesting a decrease in volume (active LOW)
$\overline{\text{VOLUP}}$	–	user is requesting an increase in volume (active LOW)
$\overline{\text{HFD}}$	–	high frequency detection; laser is on and focused (active LOW)

Table 19 Jumper status register: 0xF0C9; note 1

MNEMONIC	R/W	DATA BYTE							
		7	6	5	4	3	2	1	0
RDJMPRS	R	RESERVED (2 to 0)			ALO/PRE	PAREN	SCSIID2	SCSIID1	SCSIID0

Note

- The bit fields for the jumpers are explained in Table 21 (note that the meaning of the jumpers is application specific).

Table 20 RDJMPRS field descriptions

FIELD	DESCRIPTION
SCSIID	SCSI identity. Installing pull-up shunts on the ID selection jumpers (DD2 to DD) sets the respective SCSI ID bits HIGH on de-assertion of reset.
PAREN	SCSI bus parity enable. Installing a pull-up shunt on DD3 sets this bit HIGH on de-assertion of reset. The firmware should interpret this as SCSI bus parity enable.
ALO/PRE	Allow/Prevent. Installing a pull-up shunt on DD4 sets this bit HIGH on de-assertion of reset. Drive firmware interprets this as allowing access to media.

Table 21 General purpose bits: 0xF0C2; note 1

MNEMONIC	R/W	DATA BYTE							
		7	6	5	4	3	2	1	0
GPICTL	R/W	GPDAT4	GPDIR4	GPDAT3	GPDIR3	GPDAT2	GPDIR2	GPDAT1	GPDIR1

Note

- Register 0xF0C2 controls the direction and output state of the general purpose I/O bits on the SAA7390. Reading the GPIO direction bits reflects the last value that was written to the register. The four GPIO data bits shows the current value of the input signals in the input mode. In the output mode, the last value written to the output latches is that which is read back.

High performance Compact Disc-Recordable (CD-R) controller

SAA7390

Table 22 GPIOCTL field descriptions

FIELD	DESCRIPTION
GPDIR1	General purpose bit direction control. Default LOW puts GPIO1 into the input mode, setting this HIGH puts GPIO1 in output mode.
GPDAT1	GPIO1 data bit.
GPDIR2	General purpose bit direction control. Default LOW puts GPIO2 into the input mode, setting this HIGH puts GPIO2 in output mode.
GPDAT2	GPIO2 data bit.
GPDIR3	General purpose bit direction control. Default LOW puts GPIO3 into the input mode, setting this HIGH puts GPIO3 in output mode.
GPDAT3	GPIO3 data bit.
GPDIR4	General purpose bit direction control. Default LOW puts GPIO4 into the input mode, setting this HIGH puts GPIO4 in output mode.
GPDAT4	GPIO4 data bit.

9.1 S2B UART registers

This section describes the registers used for the S2B UART control.

Table 23 S2B UART transmit, receive and status buffer: 0xF0A1, F0A2 and F0A3; note 1

MNEMONIC	R/W	DATA BYTE							
		7	6	5	4	3	2	1	0
WTS2B	W	DATA7	DATA6	DATA5	DATA4	DATA3	DATA2	DATA1	DATA0
RDS2B	R	DATA7	DATA6	DATA5	DATA4	DATA3	DATA2	DATA1	DATA0
S2BSTAT	R	–	–	–	–	TXDRDY	PE	OVRRUN	RXDRDY

Note

1. WTS2B is for the transmit data byte from the S2B UART and RDS2B is for the receive data byte from the S2B UART.

Table 24 S2BSTAT field descriptions

FIELD	DESCRIPTION
RXDRDY	logic 1 indicates that the receive data is valid
OVRRUN	logic 1 indicates that the data in the receive buffer was not read before it was over written by the next byte
PE	logic 1 indicates that a parity error was detected in the receive data byte; this is usually caused by the wrong baud rate
TXDRDY	logic 1 indicates that the transmit data buffer is empty and ready for another byte

High performance Compact Disc-Recordable (CD-R) controller

SAA7390

Table 25 Baud rate generator control: 0xF0C0; note 1

MNEMONIC	R/W	DATA BYTE							
		7	6	5	4	3	2	1	0
BRGSEL	R/W	C_34_16	LOCK	EVENPAR	INVSUBC	INVQ	–	S2BSEL1	S2BSEL0

Note

- Register 0xF0C0 controls the S2B UART baud rate and selective inversion of the sub-code information. Control over the parity and the clock doubler is also included together with the ability to invert the sub-code and Q-channel information.

Table 26 BRGSEL field descriptions

FIELD	LOGIC	DESCRIPTION
S2BSEL1 and S2BSEL0	00	31.25 kbaud transfer rate
	01	62.5 kbaud transfer rate
	10	187.5 kbaud transfer rate
	11	not specified
INVQ	–	inverts all Q-channel information if set
INVSUBC	–	inverts all sub-code information if set
EVENPAR	–	selects even parity for S2B UART is set
LOCK	–	read only information; indicates clock synthesizer is stable (after reset) and it is ready to set C_34_16
C_34_16	–	once LOCK is HIGH, asserting this bit engages the clock doubler

9.2 SPI UART registers

This section describes the registers used for SPI control.

Table 27 Serial communication control: 0xF0F1; note 1

MNEMONIC	R/W	DATA BYTE							
		7	6	5	4	3	2	1	0
SC_CTL	R/W	SSU_REP	SSD_REP	CSU_REP	CSD_REP	SSU_SEL	SSD_SEL	CSU_SEL	CSD_SEL

Note

- Register 0xF0F1 selects and reports the signals and edges of interrupts required to control the basic engine. The least significant four bits perform the selection and are read/write. If both the rising and falling edges are set then both signal edges cause interrupts. If both rising and falling edges are cleared then neither edge will cause an interrupt. The most significant four bits report which edge of which signal caused the interrupt and are read-only; the interrupt generated by these bits is cleared by reading register 0xF0F1.

High performance Compact Disc-Recordable (CD-R) controller

SAA7390

Table 28 UARTCTL field descriptions

FIELD	DESCRIPTION
CSD_SEL	elects COM_SYNC falling edge when set
CSU_SEL	selects COM_SYNC rising edge when set
SSD_SEL	selects SYS_SYNC falling edge when set
SSU_SEL	selects SYS_SYNC rising edge when set
CSD_REP	reports COM_SYNC falling edge when set
CSU_REP	reports COM_SYNC rising edge when set
SSD_REP	reports SYS_SYNC falling edge when set
SSU_REP	reports SYS_SYNC rising edge when set

Table 29 SAA7390 to basic engine communication port: 0xF0C4; note 1

MNEMONIC	R/W	DATA BYTE							
		7	6	5	4	3	2	1	0
SERCOM	R/W	DATA7	DATA6	DATA5	DATA4	DATA3	DATA2	DATA1	DATA0

Note

- Register 0xF0C4 provides a serial communication path to the basic engine processor. Writing a byte to this register automatically clocks the bits to the other processor. As the bits shift out, a byte from the basic engine processor is shifted in. The bit rate is 2 Mbits/s. Handshake with the basic engine is accomplished with COM_ACK.

9.3 Track Descriptor Block (TDB) generation

A special mode has been included to support automatic TDB generation. Basically, the host writes one frame of the TDB into the buffer and programs its address into TDB. Then the number of frames to repeat this pattern is programmed in TDB_CNT. Once this has been carried out, TDB_EN in FEBMCTL is set. When the frame counter equals the contents of TDB, the TDB frame will be repeated as many times as programmed by TDB_CNT. If more than 256 frames are required for the TDB, TDB_CNT can be read back and re-programmed with a new value. This action must be carried out as soon as possible after an end-of-frame to prevent the count value from being corrupted.

Table 30 Track descriptor block count: 0xF08F; note 1

MNEMONIC	R/W	DATA BYTE							
		7	6	5	4	3	2	1	0
TDB_CNT	R/W	TDB count 7 to TDB count 0							

Note

- The loadable down counter holds the TDB frame count. TDB_CNT can be read while a TDB is being sent to the CDB2 and may be re-written with a new value to extend the length of the TDB beyond 256 frames; which should be carried out as soon as possible after an end-of-frame.

High performance Compact Disc-Recordable (CD-R) controller

SAA7390

Table 31 Track descriptor block address: 0xF096 and 0xF097; note 1

MNEMONIC	R/W	DATA BYTE							
		7	6	5	4	3	2	1	0
TDB	R/W	TDB address 7 to TDB address 0							
TDB	R/W	–	–	–	–	–	TDB address 10 to 8		

Note

1. Registers 0xF096 and 0xF097 contain the frame address of the TDB. When the buffer manager frame count equals the contents of this register and the TDB_EN bit is set in BMFECTL, the frame counter will not be allowed to increment until TDB_CNT equals zero.

9.4 Miscellaneous control registers**Table 32** Host interface direction and audio mode control: 0xF0C1; note 1

MNEMONIC	R/W	DATA BYTE							
		7	6	5	4	3	2	1	0
WTDIR	R/W	–	–	–	CBSB	OVER4X	BSB	HOSTDIR	AUTOSTR

Note

1. Register 0xF0C1 controls the data path to the host interface and some audio functions.

Table 33 WTDIR field descriptions

FIELD	DESCRIPTION
AUTOSTR	Automatic store; default is off. When set HIGH, the front-end will automatically begin storing data or audio when the contents of the header/Q-channel registers equals the contents of the STRTMIN, STRTSEC and STRTFRM registers. If a header/Q-channel error occurs to invalidate the address, auto-store is inhibited. Storing of data will continue until the contents of the STOPCNT equals zero, at which time it will automatically stop.
HOSTDIR	Host direction; default LOW. This selects the microcontroller data path to the SCSI interface. Setting this HIGH selects the buffer managers DMA path. When using a 53CF92A, this should be set and left HIGH since the microcontroller has a separate command path into the 53CF92A whereas the 53CF90B requires the buffer manager and microcontroller to share the same path.
BSB	Byte swap bit. Defaults to swapping the most significant byte and least significant byte in the audio mode such that the least significant byte of all audio samples is stored at even addresses in the DRAM. Setting this HIGH causes the audio data to be stored in the same way as in the data mode.
OVER4X	4× over-sampling bit selection; default LOW select transmit, or no over-sampling, mode for the sub-code and C-flag UARTs. Setting this bit HIGH will cause the sub-code and C-flag data to be sampled at one quarter the data rate allowing Q-channel information to be correctly stored in the registers while the CD-60 is outputting audio data at 4× over-sampling.
CBSB	CBD2 byte swap bit; default LOW allows data from the DRAM buffer to be sent to the CDB2 normally (data mode). When set HIGH, the high byte and low byte are swapped since data from the host will be swapped. As a result, Red book in the bypass mode will be correctly aligned.

High performance Compact Disc-Recordable (CD-R) controller

SAA7390

Table 34 SCSI mode control register: 0xF0FD; note 1

MNEMONIC	R/W	DATA BYTE							
		7	6	5	4	3	2	1	0
HOSTMOD	R/W	–	SELCF92	FAST	OFF_ADR	OFF_END	OFF_STR	RD_BUF	BYT/PAG

Note

- Register 0xF0FD controls the operation of the interface to the host interface controller. The outputs of these registers are used to directly control DRAM access cycles, and will affect any current DRAM cycle in progress.

Table 35 HOSTMOD field descriptions

FIELD	LOGIC	DESCRIPTION
BYT/PAG	0	host interface DRAM byte mode access
	1	host interface DRAM page mode access
RD_BUF	0	host interface read/write control; read from buffer memory
	1	host interface read/write control; write to buffer memory
OFF_STR	0	host interface offset start A/B control; select A registers
	1	host interface offset start A/B control; select B registers
OFF_END	0	host interface offset end A/B control; select A registers
	1	host interface offset end A/B control; select B registers
OFF_ADR	0	host interface transfers use only A registers
	1	host interface transfers use A and B registers
FAST	0	3 cycles host interface burst accesses from buffer
	1	2 cycles host interface burst accesses from buffer
SELCF92	0	DRAM timing optimized for 53CF90
	1	DRAM timing optimized for 53CF92

10 FRONT-END

This chapter explains the information of the front-end circuitry.

10.1 Minute-second frame addressing and header information**Table 36** Header mode and MSF from block decoder: 0xF092, F093, F09A and F09B; note 1

MNEMONIC	R/W	DATA BYTE							
		7	6	5	4	3	2	1	0
HDRMODE	R	MODE7 to MODE0							
HDRMINS	R	MINUTES7 to MINUTES0							
HDRSEC	R	SECONDS7 to SECONDS0							
HDRFRM	R	FRAME7 to FRAME0							

Note

- These registers contain the mode, minute, second and frame information from the header when in data mode. This data is valid whenever the HDDRDY bit in the RDDSTAT register is set. In audio mode, the MSF address is taken from the Q-channel information.

High performance Compact Disc-Recordable (CD-R) controller

SAA7390

Table 37 Q-channel information: 0xF084, F094, F095, F0A9, F0AA, F0AB, F0B1, F0B2, F0CF and F0FA,; note 1

MNEMONIC	R/W	DATA BYTE							
		7	6	5	4	3	2	1	0
QZERO	R	ZERO7 to ZERO0							
QTNO	R	TRACK7 to TRACK0							
QINDX	R	INDEX7 to INDEX0							
QMODE	R	MODE7 to MODE0							
QAMIN	R	ABSMIN7 to ABSMIN0							
QASEC	R	ABSSEC7 to ABSSEC0							
QAFRM	R	ABSFRM7 to ABSFRM0							
QMIN	R	RELMIN7 to RELMIN0							
QSEC	R	RELSEC7 to RELSEC0							
QFRM	R	RELFRM7 to RELFRM0							

Note

1. These registers contain the information taken from the raw sub-channel information from the CD decoder. Due to the fact that this data has not had any error correction applied to it, it is necessary to perform a CRC check for validity. Twelve bytes of Q-channel information are assembled from each sector of data; the last two bytes contain the CRC parity. Therefore the validity of the contents of these registers can only be determined after the last bit has been loaded and checked.

Table 38 Times from QCHRDY to BADQ (RDDSTAT)

SPEED	TIME (μ s)
n = 1	2177
n = 2	1089
n = 4	545
n = 6	363
n = 8	273

For example, at the n = 4 data rate, the BADQ flag (in RDDSTAT) should be checked 545 μ s after the QFRMRDY interrupt (from RDDSTAT) is asserted. If BADQ is LOW then the contents of the Q-channel registers are valid; otherwise the CRC check failed and the Q-channel information may be incorrect. If the data clock is running (ECMD LOW or ENABRED HIGH) then BADQ will be valid until the end of the sector; otherwise BADQ is valid until the end of the next Q frame.

High performance Compact Disc-Recordable (CD-R) controller

SAA7390

10.2 Front-end status and control

Table 39 Front-end control: 0xF0BB; note 1

MNEMONIC	R/W	DATA BYTE							
		7	6	5	4	3	2	1	0
FECTL	R/W	SIM_EOF	RSMD	BREAK	RWMD	ENABRED	AUDMODE	SYNASYN	ECMD

Note

1. Register 0xF0BB controls the front-end of the SAA7390. The naming convention used here is similar to that used in the block decoders.

Table 40 FECTL field descriptions

FIELD	LOGIC	DESCRIPTION
ECMD	0	Data is shifted in and stored when the next synchronization pattern is detected; (SYNASYN = 1 and AUDMODE = 0).
	1	Data flow stop just before next synchronization pattern. ECMD is set on a reset condition; (SYNASYN = 1).
SYNASYN		Synchronous/asynchronous selection; this controls the method by which data is started and stopped by the block decoder, only operates in data mode.
	0	Causes a 'panic stop'. A partial frame will reside in current and subsequent buffers unless SIM_EOF is set then cleared; (ECMD = 1).
	1	Data is started and stopped on frame boundaries (on synchronization patterns).
AUDMODE	0	Data mode. Cleared on reset.
	1	Audio mode, where the bit clock is shifted to accommodate EIAJ format. HQRDY in INTRFLG follows HDRRDY in data mode and QFRMDRY in audio mode.
ENABRED		Enable red book to data path; while in audio mode, this is equivalent to ECMD in the data mode. No asynchronous stop is provided in the audio mode.
	0	Data flow will stop when the next F1 C-flag is detected. Cleared on a reset condition.
	1	Red book data is input to buffer after the detection of the next F1 C-flag.
RWMD	–	This must be pulsed HIGH then LOW every 212 ms to prevent the watch-dog timer from resetting the SAA7390 and the drive. The length of the reset pulse is 967 μs. If RWMD is set, the watch-dog timer is disabled.
BREAK	–	When set, the S2B UART transmitter output is held HIGH.
RSMD	–	When the pulse is HIGH then LOW, the block decoder begins to search for a synchronization pattern in the data bitstream. Once a synchronization pattern is found, MODE, MINS, SECS, and FRMS become valid.
SIM_EOF	–	This provides a firmware reset to the frame sequencer and parts of the buffer manager. This would be required if an asynchronous stop of the data stream occurs. Pulsing this HIGH then LOW resets all counters and establishes a 'beginning of frame' state. DCOACT in RDDSTAT must be LOW to allow SIM_EOF to have any effect. If SIM_EOF is set, no data or sub-code is stored in the buffer.

High performance Compact Disc-Recordable (CD-R) controller

SAA7390

Table 41 Read status register: 0xF0C3; note 1

MNEMONIC	R/W	DATA BYTE							
		7	6	5	4	3	2	1	0
RDDSTAT	R	DCOTACT	BADQ	QFRMRDY	HDRRDY	HDRERR	CRCERR	DATERR	SYNCERR

Note

- The information in register 0xF0C3 is a copy of the status byte written to the data buffer at the end of every frame. SYNCERR, DATERR and CRCERR are essentially unusable since they are valid only long enough to be written to the buffer.

Table 42 RDDSTAT field descriptions

FIELD	LOGIC	DESCRIPTION
SYNCERR	0	Good synchronization detected (valid for 120 ns at the end of a sector).
DATERR	0	Good data (valid for 120 ns at the end of a sector).
CRCERR	0	Good CRC (valid for 120 ns at the end of a sector).
HDRERR	0	Good header. If the automatic storage is selected, assertion of HDRERR inhibits data storage.
	1	EFAB during reception of header (valid while HDRRDY set). If the automatic storage is selected, assertion of HDRERR inhibits data storage.
HDRRDY	–	When set, a valid header is available. If the header is not read within a frame time, this remains set until the next synchronization pattern and will be set again when the next header arrives. It is cleared when any of the header bytes are read. This bit generates an interrupt to the microcontroller when in data mode.
QFRMRDY	–	When set, all ten Q-channel bytes are received waiting to be read (BADQ is known). It is reset at the end of frame or when any of the Q-channel bytes are read. This bit generates an interrupt to the microcontroller when in audio mode.
BADQ	–	If Q-channel information failed CRC then BADQ is set. It is reset on next good CRC check or on end of frame if DCOACT is running. If DCOACT is not running (i.e. audio mode) BADQ is reset on next detection of sub-code gap. If AUTOSTR in WTDIR is selected, assertion of BADQ inhibits audio data storage.
DCOTACT	–	Set when data is being shifted on and stored in the buffer: this will remain HIGH for the entire transmission.

High performance Compact Disc-Recordable (CD-R) controller

SAA7390

11 BUFFER MANAGER

11.1 Front-end to buffer manager interface

The buffer manager interface to the front-end is write only with no handshaking. The front-end passes one byte of data and a write strobe to the buffer manager; this byte will be one of five types of data (see Table 44). The data byte is latched and the interface is given the highest priority thus no wait signal is required. The other signals passed from the front-end logic are an end-of-frame strobe (which is the same as the status byte write strobe), a software-generated reset pulse (used to reset the front-end counters), and a reset pulse for the Q-channel and sub-code offset counters.

The buffer manager provides the remainder of the logic to write the data into the RAM and keep track of the frame addresses and offset addresses. This logic consists of a 12-bit frame offset counter FEOFF, for data and an 11-bit frame counter; this is a relative frame number and is not related to the CD-ROM frame number. Offset counters are also provided for the four other types of data. The other offset address generators are based on fixed addresses, and they will be loaded with the start address at the beginning of each frame. The five types of data from the front-end are loaded into the frame map as shown in Table 44.

Table 43 Data types from the front-end

START	END	LENGTH	DATA TYPE
0x000	0x92F	0x930	header, data and parity
0x930	0x93F	0x010	Q-channel
0x940	0x99F	0x060	sub-channel
0x9A0	0xAC5	0x126	error flags
0xBDE	0xBDE	0x001	status byte

Initially the front-end frame counter and all of the offset counters are cleared by reset or loaded with the contents of FEFRM# when the last frame as specified by LASTFRM is filled; therefore FEFRM# should be loaded with the required starting frame number. FEFRM# will load the counter immediately if FEWBLK from BMFECTL is clear.

If TDB_EN in BMFECLT is set then one frame may be read multiple times from memory; TDB selects the frame to be read and TDB_CNT determines the number of times the frame will be repeated. When this process is active, the frame counter will not increment until TDB_CNT reaches zero.

LASTFRM establishes the limit of the frame memory. This register should be loaded with the required number of frames; the amount of memory used is 3 kbytes times the number of frames. The front-end frame address counter uses this value to determine the correct location to re-load the counter to the starting frame number, FEFRM#.

The frame counter and the frame data offset counter may be loaded by the microcontroller; this allows the starting frame number (via FEFRM#) to be modified by the microcontroller, and the frame data offset counter (FEFRMOFF) may be loaded for test purposes.

Once the data load process starts, the offset counter (FEOFF) increments after each byte is written into memory. This process continues until an end-of-frame signal is received from the front-end logic. If an error occurs and the offset counter increments past the maximum 2352, an interrupt will be issued to the microcontroller.

High performance Compact Disc-Recordable (CD-R) controller

SAA7390

Table 44 Front-end frame offset: 0xF0E2, F0E3; note 1

MNEMONIC	R/W	DATA BYTE							
		7	6	5	4	3	2	1	0
FEFRMOFF	R/W	OFFSET7 to OFFSET0							
FEFRMOFF	R/W	–	–	–	–	OFFSET11 to OFFSET8			

Note

1. This register allows the front-end frame offset counter to be read and reloaded. The counter associated with these registers is loaded after the most significant byte is written; the least significant byte must be written first to ensure that the counter is loaded correctly. If a DRAM access is in progress that uses the address from the counter, the update will be delayed until the access is complete.

Table 45 Front-end offset counter: 0xF09E, 0xF09F; note 1

MNEMONIC	R/W	DATA BYTE							
		7	6	5	4	3	2	1	0
FEOFF	R/W	OFFSET7 to OFFSET0							
FEOFF	R/W	–	–	–	–	OFFSET11 to OFFSET8			

Note

1. These registers access the actual counter for the front-end offset counter and therefore change rapidly during a transfer. The front-end frame offset counter is cleared after reset and after each frame is loaded into the buffer memory. Therefore, FEFRMOFF should not be loaded during normal operation.

Table 46 Front-end offset counter: 0xF0E4, 0xF0E5; note 1

MNEMONIC	R/W	DATA BYTE							
		7	6	5	4	3	2	1	0
FEFRM#	R/W	FRAME7	FRAME6	FRAME5	FRAME4	FRAME3	FRAME2	FRAME1	FRAME0
FEFRM#	R/W	–	–	–	–	–	FRAME10 to FRAME8		

Note

1. This register allows the front-end frame number counter to be read and reloaded. The counter associated with these registers is loaded after the most significant byte is written; the least significant byte must be written first to ensure that the counter is loaded correctly. If a DRAM access is in progress that uses the address from the counter, the update will be delayed until the access is completed.

Table 47 Last frame number for storage: 0xF0F8, F0F9; note 1

MNEMONIC	R/W	DATA BYTE							
		7	6	5	4	3	2	1	0
LASTFRM	R/W	FRAME7	FRAME6	FRAME5	FRAME4	FRAME3	FRAME2	FRAME1	FRAME0
LASTFRM	R/W	–	–	–	–	–	FRAME10 to FRAME8		

Note

1. These registers are used by the buffer manager to set the top of frame storage memory (wrap point). Any memory past this point is available for general usage by the microcontroller. The outputs of the registers are used directly to control DRAM access cycles, and will affect any current DRAM cycle in progress.

High performance Compact Disc-Recordable (CD-R) controller

SAA7390

Table 48 Buffer manager front-end control: 0xF0E1

MNEMONIC	R/W	DATA BYTE							
		7	6	5	4	3	2	1	0
BMFECTL	R/W	–	–	–	–	STOP	FEWBLK	HW_BLK	TDB_EN

Table 49 BMFECTL field descriptions

FIELD	LOGIC	DESCRIPTION
TDB_EN	–	Track Descriptor Block (TDB) enable; default LOW. When set, this causes the buffer manager to continuously output the frame addressed by TDDL/TDBH for as many frames as programmed into TDB_CNT. TDB_CNT can be read and re-initialized while the TDB is being sent to the CDB2 to extend the count beyond 256.
HW_BLK	–	Host write block. If set HIGH, this bit will prevent a write to the host start frame number register (HOSTSFRM) for immediately changing the host frame counter (HOSTCFRM). The new value will be loaded at the next roll-over; a roll-over occurs when the host frame counter reaches the maximum frame number (LASTHOST) and is reloaded with the host start frame number.
FEWBLK	–	Front-end write block. If set HIGH, this bit will prevent a write to the front-end start frame number register (FEFRM#) from immediately changing the front-end counter. The new value will be loaded at the next roll-over; a roll-over occurs when the front-end frame counter reaches the maximum frame number (LASTFRM) and is reloaded with the front-end start frame number (FEFRM#).
STOP	0	Automatic START control registers are selected.
	1	Automatic STOP control registers are selected.

11.2 Microcontroller to buffer manager interface

The microcontroller interface allows the microcontroller to read or write any register or the frame store memory. Frame and offset registers are used to update the counters after the most significant byte has been loaded. Frame store memory is addressed using a frame number register controller by the microcontroller. Logic is provided to allow the frame number of the last complete frame received (LSTCMPFM) from the front-end to be read by the microcontroller for the purpose of setting the microcontroller frame address.

Memory beyond the last frame number is available to the microcontroller using the microcontroller bottom 32 kbytes located at 0x0000 to 0x7FFF. The 4 kbytes segment at 0x8000 to 0x8FFF is used to address the current frame memory. Also, the next frame may be accessed at 0x9000 to 0x9FFF, and the current frame plus 2 may be accessed at 0xA000 to 0xAFFF.

A page register is provided to allow the microcontroller to address the complete memory range in 32 kbytes pages. All microcontroller accesses to memory are single byte read or write cycles.

All microcontroller accesses to memory will generate a wait state. If no other accesses to memory are in progress then a minimum wait state cycle will be generated. If, however, other cycles are in progress then the microcontroller is forced to wait until the lower priority access cycles finish and any high priority access cycles are completed. The worst case wait is four complete access cycles; a total of 20 clock cycles.

High performance Compact Disc-Recordable (CD-R) controller

SAA7390

Table 50 Last complete frame number: 0xF0E6, F0E7; note 1

MNEMONIC	R/W	DATA BYTE							
		7	6	5	4	3	2	1	0
LSTCMPFM	R	FRAME7	FRAME6	FRAME5	FRAME4	FRAME3	FRAME2	FRAME1	FRAME0
LSTCMPFM	R	–	–	–	–	–	FRAME10 to FRAME8		

Note

1. This register provides the address of the last complete frame that was received.

11.3 ECC to buffer manager interface

The ECC logic is able to access the buffer manager frame memory in either byte or burst mode. The ECC logic provides an offset address and uses a frame address programmed by the microcontroller, ECCFRM#. The logic can write a single byte or variable number of bytes. In the event of an access to a variable number of bytes, the ECC logic will assert the signal BURST and EREQ to indicate that a large number of cycles are requested.

For each read or write cycle, the buffer manager will toggle EACK HIGH for one clock cycle to indicate that one byte of data has been read from or written to the memory. A single byte cycle will be the same with the exception that BURST will remain negated (LOW). In the event of a higher priority memory access request during a burst cycle, EACK will remain LOW for the duration of the higher priority access cycle. At the end of the higher priority access, the burst cycle will resume and EACK will again toggle HIGH after each read or write is completed.

Table 51 ECC frame number address registers: 0xF0F4, F0F5; note 1

MNEMONIC	R/W	DATA BYTE							
		7	6	5	4	3	2	1	0
ECCFRM#	R/W	FRAME7	FRAME6	FRAME5	FRAME4	FRAME3	FRAME2	FRAME1	FRAME0
ECCFRM#	R/W	–	–	–	–	–	FRAME10 to FRAME8		

Note

1. These registers provide the frame number address for ECC access to memory. The counter associated with these registers is loaded after the most significant byte is written; the least significant byte must be written first to ensure that the counter is loaded correctly. If a DRAM access is in progress that uses the address from the counter, the update will be delayed until the access is completed.

ECCFRM# is used to determine the frame address for all ECC operations. This register must be reloaded for each frame accessed by the ECC.

11.4 SCSI to buffer manager interface

The host interface registers should be loaded prior to starting an host interface transfer. The HOSTMOD register should be loaded first. BYT/PAG and FAST from this register are used to control the type of DRAM access used by the host interface. If BYT/PAG is HIGH then burst mode access cycles are selected; multiple CAS access cycles are used to access data as fast as possible. FAST allows the speed of the burst cycle to be selected; for most host

controllers this bit is set LOW to select three clocks per CAS cycle. For faster host access, FAST should be asserted and the host burst cycle uses two clocks per CAS cycle.

RD_BUF from HOSTMOD controls the direction of data flow to the buffer memory; this bit is kept LOW to allow reading of data from the DRAM buffer. If RD_BUF is asserted then host data will be written to the DRAM buffer. OFF_ADR from HOSTMOD is used to select between one and two offset mode for the host transfer. OFF_ADR LOW selects single offset mode in which one block of data is transferred for each frame of the buffer.

High performance Compact Disc-Recordable (CD-R) controller

SAA7390

The transfer block is specified by registers HOSTOFFS and HOSTOFFE. For each frame, the transfer will start at the address specified by HOSTOFFS and continue until the address specified by HOSTOFFE is transferred.

After each block is transferred, the frame address HOSTCFRM will be incremented and the transfer will continue with the same address block from the next frame. If OFF_ADR is set, then two blocks of data are transferred. In the two offset mode, both HOSTOFFS and HOSTOFFE are used to access two independent register pairs; for simplicity, these are called the A registers and the B registers. In this event, the transfer for each frame is a two step process.

First, the offset block specified by HOSTOFFS-A and HOSTOFFE-A is transferred; the transfer address range is from HOSTOFFS-A to HOSTOFFE-A and includes both the start and end addresses. After the first offset block is transferred, the second offset block as specified by HOSTOFFS-B and HOSTOFFE-B is transferred. The frame address will not be incremented until after both offset blocks are transferred. Once both offset blocks are transferred, the frame address is incremented and again the two offset blocks are transferred for the next frame. Reading and writing of the A and the B registers is controlled by an automatic switching after the most significant bytes of the registers are written.

After power-up or reset the pointer to the A registers will be selected. If the dual offset mode is selected, the A/B switch will be toggled when the most significant bytes of the registers are written; either the most significant bytes of

HSTOFFS or HSTOFFE. Any future reads or writes will access the B registers.

The process of loading and reading the two host offset address pairs can be monitored and controlled by OFF_STR and OFF_END from HOSTMOD. Reading OFF_STR shows the status of the A/B switch for the HSTOFFS-A/B registers; reading OFF_END shows the status of the A/B switch for the HSTOFFE-A/B registers. A write to HOSTMOD with OFF_STR LOW will clear the A/B switch for the HSTOFFS registers; a write to HOSTMOD with OFF_END LOW will clear the A/B switch for the HSTOFFE registers.

HSTFRM is used to determine the starting frame address for all host operations. The associated counter is automatically incremented after each frame, and wraps back onto HSTFRM when the last frame as specified by LSTFHST is transferred. To update the host frame address counter, HSTFRM must be rewritten. The current host frame address is available by reading HSTCFRM.

The SCSTOFFS registers access either one or two register pairs as controlled by SCSTMOD. SCSTOFFS determines the starting offset address for a host transfer.

The SCSTOFFE register accesses either one or two register pairs as controlled by SCSTMOD. SCSTOFFE determines the ending offset address for a host transfer.

Remarks:

- If two offset pairs are used, the A start offset must be written last to ensure that the correct offset start address is loaded into the counter.
- In the two offset mode, reading the register after loading is not possible due to the automatic switching feature; if the A offset pair is written, and the register pair is read, the B offset pair would be read.

Table 52 Host interface offset counter: 0xF09C, F09D; note 1

MNEMONIC	R/W	DATA BYTE							
		7	6	5	4	3	2	1	0
HOFF	R/W	OFFSET7 to OFFSET0							
HOFF	R/W	-	-	-	-	OFFSET11 to OFFSET8			

Note

1. These addresses access the actual counter of the host interface offset counter and therefore rapidly change during host interface transfers.

High performance Compact Disc-Recordable (CD-R) controller

SAA7390

Table 53 Host interface offset start register (A and B): 0xF0E8, F0E9; note 1

MNEMONIC	R/W	DATA BYTE							
		7	6	5	4	3	2	1	0
HSTOFFS	R/W	OFFSET7 to OFFSET0							
HSTOFFS	R/W	–	–	–	–	OFFSET11 to OFFSET8			

Note

1. These registers, together with the offset end registers, allow full control over the number of frame bytes that will be transferred to the host interface port.

Table 54 Host interface offset end register (A and B): 0xF0EA, F0EB; note 1

MNEMONIC	R/W	DATA BYTE							
		7	6	5	4	3	2	1	0
HSTOFFE	R/W	OFFSET7 to OFFSET0							
HSTOFFE	R/W	–	–	–	–	OFFSET11 to OFFSET8			

Note

1. These registers together with the offset start registers, allow full control over the number of frame bytes that will be transferred to the host interface port.

Table 55 Host interface transfer start frame number: 0xF0EC, F0ED; note 1

MNEMONIC	R/W	DATA BYTE							
		7	6	5	4	3	2	1	0
HSTSRM	R/W	FRAME7	FRAME6	FRAME5	FRAME4	FRAME3	FRAME2	FRAME1	FRAME0
HSTSRM	R/W	–	–	–	–	–	FRAME10 to FRAME8		

Note

1. This register determines the starting frame number for a host interface transfer. The outputs of the registers are used to directly control DRAM access cycles, and will affect any current DRAM cycle in progress. The host interface frame pointer will wrap back to this point.

Table 56 Host interface current transfer frame: 0xF0EE, F0EF; note 1

MNEMONIC	R/W	DATA BYTE							
		7	6	5	4	3	2	1	0
HSTCFRM	R	FRAME7	FRAME6	FRAME5	FRAME4	FRAME3	FRAME2	FRAME1	FRAME0
HSTCFRM	R	–	–	–	–	–	FRAME10 to FRAME8		

Note

1. This register allows the current host interface frame transfer number to be read.

High performance Compact Disc-Recordable (CD-R) controller

SAA7390

Table 57 Ending frame number: 0xF0F2, F0F3

MNEMONIC	R/W	DATA BYTE							
		7	6	5	4	3	2	1	0
LSTFHOST	R/W	FRAME7	FRAME6	FRAME5	FRAME4	FRAME3	FRAME2	FRAME1	FRAME0
LSTFHOST	R/W	–	–	–	–	–	FRAME10 to FRAME8		

11.5 Miscellaneous buffer manager considerations

The following bandwidth limitation must be observed in normal operation:

- Only 833 ns is available between each data write from the front-end at the maximum 8 times transfer rate. At the end of the frame, multiple front-end writes may stack up, so the microcontroller accesses to DRAM will be off (PCLK stopped) during the end of frame time.
- After power-up or reset, the register DRAMSEL should be programmed first.

Table 58 Selection/test mode: 0xF0FE; note 1

MNEMONIC	R/W	DATA BYTE							
		7	6	5	4	3	2	1	0
DRAMSEL	R/W	TEST	RES_TEST2 to RES_TEST0		REFRATE	DRAMSEL1	DRAMSEL0	–	

Note

1. DRAMSEL1 and DRAMSEL0 are used to select the type of DRAM which is connected to the SAA7390. The test modes are also defined by the DRAMSEL register.

Table 59 DRAMSEL field descriptions

FIELD	LOGIC	DESCRIPTION
DRAMSEL1	00	256 kbytes
DRAMSEL0	01	1 Mbyte
	10	not applicable
	11	4 Mbytes
REFRATE	0	normal refresh rate
	1	double refresh rate; set HIGH if clock is running at $\frac{1}{2}$ normal rate, or 16.9 MHz
RES_TEST0	–	reserved for test; setting this HIGH enables the DRAM access test, a write to INTRMSK sets a front-end access test, and a write to PAGEREG sets a test ECC access
RES_TEST1	–	reserved for test; setting this HIGH enables the switch multiplexer control
RES_TEST2	–	reserved for test; setting this HIGH enables the interrupt test, a write to PAGEREG will set interrupts
TEST	–	test mode; this bit must be set to enable the test modes, also, read back of any of the test bits is gated by this bit

High performance Compact Disc-Recordable (CD-R) controller

SAA7390

Table 60 Automatic start and stop control functions (same address): 0xF0C5, F0C6 and F0C7

MNEMONIC	R/W	DATA BYTE							
		7	6	5	4	3	2	1	0
STRTMIN	R/W	MINUTE7 to MINUTE0							
STRTSEC	R/W	SECOND7 to SECOND0							
STRTRFM	R/W	FRAME7 to FRAME0							
STOPCNT	R/W	COUNT7 to COUNT0							
STOPCNT	R/W	–	–	–	–	–	COUNT10 to COUNT8		

The multiplexing between the start and stop registers is achieved by programming STOP in BMFECTL. If STOP is clear then STRTMIN, STRTSEC and STRTRFM are accessible, otherwise STOPCNT may be accessed.

These registers contain the start address (MSF) and the stop count for the automatic read control function. When the block decoders header or registers equal the start address, the front-end will start to send data to the buffer manager until the down counter STOPCNT decrements to zero, at which time the data flow stops.

The header registers are selected then AUDMODE in FECTL is LOW, otherwise the Q registers are selected; the latter event is used for loading audio data. The start registers are selected when FEWBLK in BMFECLT is LOW, otherwise the STOPCNT registers are selected. The start registers should be programmed to 'Header 1'. If EFAB (C2 failure) is asserted while the header is shifting in, the data flow will not start. The same is true for BADQ (Q channel CRC failure) used in the audio mode.

11.6 Host interface related registers

The SAA7390 provides a 16 address wide pass through mechanism to communicate to an external SCSI or ATAPI interface device. Supported devices include the 53CF9X series of SCSI controllers and the Wapiti ATAPI controller. The register definitions for the external device can be found in the corresponding data sheet.

In the 53CF9X series of SCSI controllers, some registers are read only and others are write only. These share the same address and the multiplexing between the two depends on the read or write select.

The address mapping is: 0xF0A4 to 0xF0A7, 0xF0AC to 0xF0AF, 0xF0B4 to 0xF0B7, 0xF0BC to 0xF0BF maps onto the external interface device address range 0x00 to 0x0F respectively.

11.7 CDB2 related registers

This section outlines the registers which are related to the modified CDB2 block encoder. Figure 13 shows a functional block diagram for the CDB2.

Figure 14 explains the generation of header and sub-header information.

High performance Compact Disc-Recordable (CD-R) controller

SAA7390

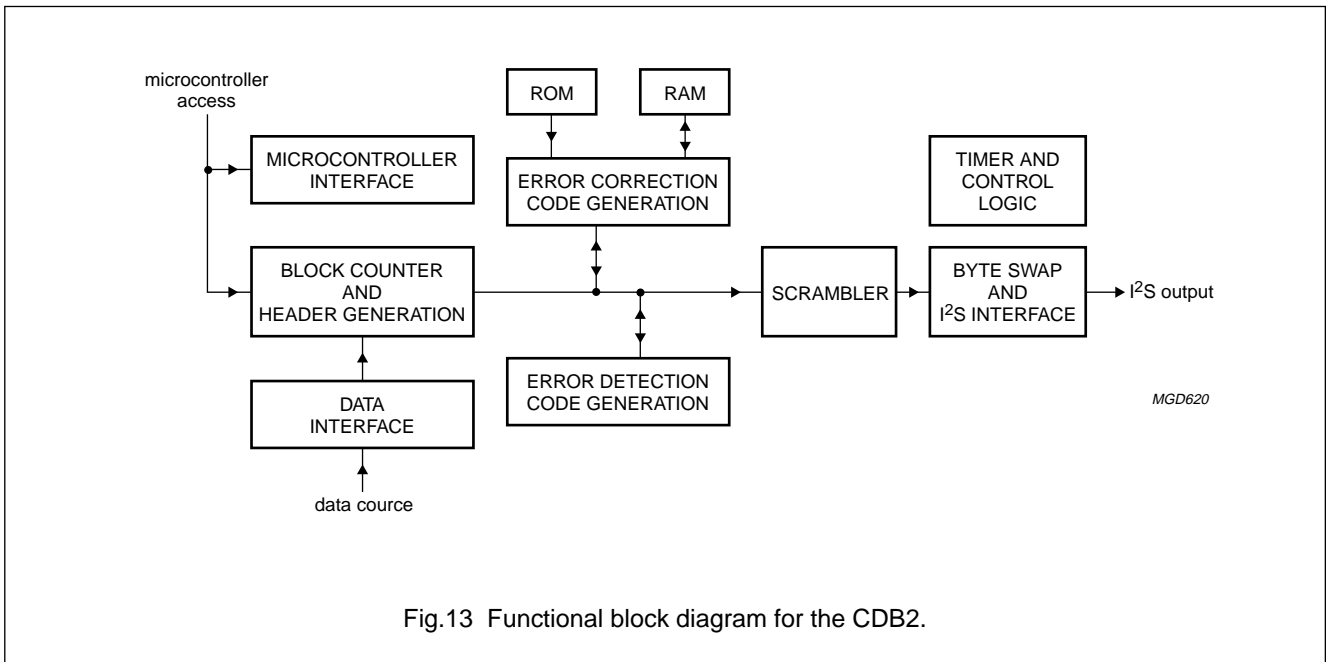


Fig.13 Functional block diagram for the CDB2.

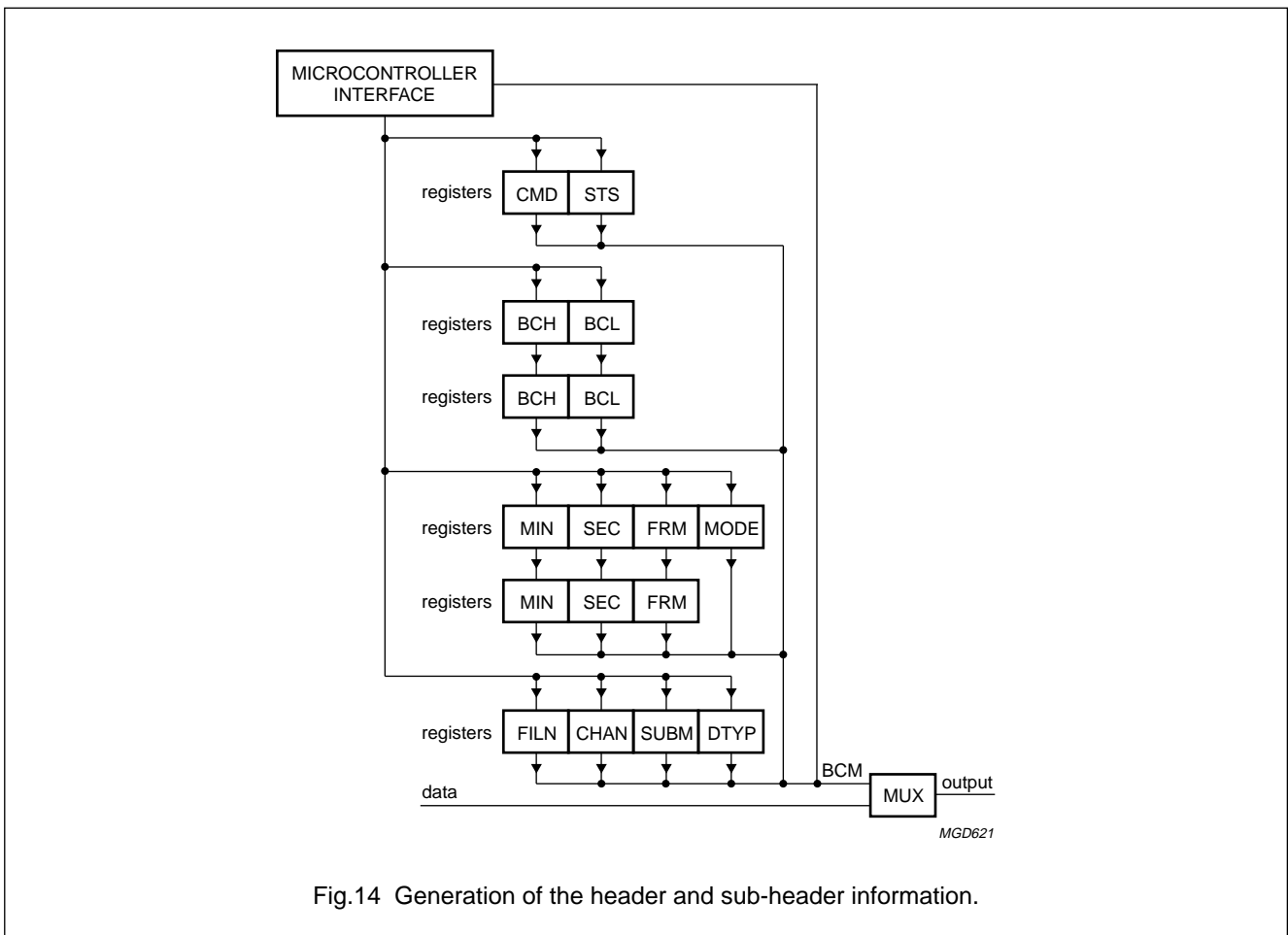


Fig.14 Generation of the header and sub-header information.

High performance Compact
Disc-Recordable (CD-R) controller

SAA7390

Table 61 Interrupt mask register: 0xF0CE; note 1

MNEMONIC	R/W	DATA BYTE							
		7	6	5	4	3	2	1	0
CMSK	R/W	–	–	EOFMSK	COM_SYS	ACKINT	HEF	ACA	LBT

Note

1. Register 0xF0CE contains the mask bits for the various SAA7390 specific interrupts. Setting a mask bit HIGH enables the interrupt. The register is cleared to all zeros after reset. The definitions of the bit fields of CMSK are given in Table .63.

Table 62 CMSK field descriptions

FIELD	DESCRIPTION
LBT	block counter equals zero
ACA	access allowed
HEF	DMA to CDB2 under-run
ACKINT	interrupt from serial communication with basic engine
COM_SYS	COMSYNC/SYSSYNC clock interrupt
EOFMSK	end of frame interrupt generated by CDB2 when writing to the disc in audio or data mode

Table 63 Command register: 0xF0D1

MNEMONIC	R/W	DATA BYTE							
		7	6	5	4	3	2	1	0
CCMD	R/W	SRS	BPE	ACT	DRQ	NHD	CDI	SBH	ED2

High performance Compact
Disc-Recordable (CD-R) controller

SAA7390

Table 64 CCMD field descriptions

FIELD	LOGIC	DESCRIPTION
ED2	0	no EDC in CDI, Form 2; zeros replace CRC; note 1
	1	EDC is performed in CDI, Form 2; note 1
SBH	0	sub-header retrieved from sub-header register; note 2
	1	sub-header retrieved from host data; note 2
CDI	0	CD-ROM mode; note 2
	1	CDI mode; note 2
NHD	0	header calculated internally; note 2
	1	header supplied by host; note 2
DRQ	0	requests to host are enabled; note 2
	1	requests to host are disabled; this is now synchronous with the end-of-frame signal; note 2
ACT	0	continue transmission; note 2
	1	stop transmission during next block; note 2
BPE	0	bypass disabled; note 2
	1	bypass enabled; this is now synchronous with the end-of-frame signal; note 2
SRS	0	normal operation
	1	soft reset to CDB2

Notes

1. Only has effect in CDI mode.
2. Latched on rising edge of ACA.

Table 65 Status register: 0xF0D2

MNEMONIC	R/W	DATA BYTE							
		7	6	5	4	3	2	1	0
CSTS	R	ATT	HEF	LBT	ACA	RDY	NRQ	SAR	–

High performance Compact Disc-Recordable (CD-R) controller

SAA7390

Table 66 CSTS field descriptions

FIELD	LOGIC	DESCRIPTION
SAR	0	status not ready yet during this block; SAR cleared on each new block
	1	status already read
NRQ ⁽¹⁾	0	no request to host will be issued
	1	requests to host will be issued
RDY ⁽²⁾	0	data block transmission is in progress
	1	data transmission is ceased
ACA	0	access to CDB2 is denied
	1	access to CDB2 is allowed
LBT	0	state of block counter has reached zero
	1	block counter is non zero
HEF	0	no error has occurred during communication with the host
	1	an error has occurred in the host communication process; note 3
ATT ⁽⁴⁾	0	interrupt to microcontroller is asserted
	1	no pending interrupts

Notes

1. Normally NRQ is LOW during synchronization, header and EDC/ECC transmission.
2. RDY is set after command bit ACT is pulled LOW.
3. This is a fatal error which can be rectified only by restarting CDB2.
4. Interrupt sources are ACA = logic 1, LBT = logic 0 and HEF = logic 1.

Table 67 Block count registers: 0xF0D3 and 0xF0D4; note 1

MNEMONIC	R/W	DATA BYTE							
		7	6	5	4	3	2	1	0
CBCL	R/W	BLOCKCOUNT7 to BLOCKCOUNT0							
CBCH	R/W	BLOCKCOUNT15 to BLOCKCOUNT8							

Note

1. This is a 16-bit down counter which should be programmed with the; number of blocks - 1. As soon as the count value reaches zero, LBT is cleared and ATT is pulled LOW. LBT remains active for 13.3 ms at single speed record. Note that the counter continue to decrement. New programmed information is used at the start of the next block.

Table 68 Header containing MSF address and mode: 0xF0D5, F0D6, F0D7 and F0DB

MNEMONIC	R/W	DATA BYTE							
		7	6	5	4	3	2	1	0
CMDE	R/W	–	–	–	–	–	–	MODE1	MODE0
CMIN	R/W	MINUTES7 to MINUTES0							
CSEC	R/W	SECONDS7 to SECONDS0							
CFRM	R/W	FRAME7 to FRAME0							

High performance Compact Disc-Recordable (CD-R) controller

SAA7390

Automatic header generation is implemented in the CDB2. Once the initial header value is loaded, the header is incremented and added to the user data in accordance with the Yellow book rules. When the information is written into the header registers, this is used by the CDB2 at the start of the next frame. MODE1 and MODE0 specifies the CD-ROM mode used, even when NHD = logic 1.

Table 69 Sub-header information fields: 0xF0DC, F0DD, F0DE and F0DF; note 1

MNEMONIC	R/W	DATA BYTE							
		7	6	5	4	3	2	1	0
CFN	R/W	FILENUMBER7 to FILENUMBER0							
CCHAN	R/W	CHANNEL7 to CHANNEL0							
CSMD	R/W	SUBMODE7 to SUBMODE0							
CDTB	R/W	DATATYPE7 to DATATYPE0							

Note

1. These form the CDB2 sub-header information, comprising of the file number, channel, mode and data type.

Table 70 Test register for CDB2: 0xF0D8; note 1

MNEMONIC	R/W	DATA BYTE							
		7	6	5	4	3	2	1	0
CTST	W	–	–	SYN_PD	S_CPSEL	S_FDBK	S_OUTEN	TEST1	TEST0

Note

1. This register is strictly for use by the manufacturer. Setting any bits will result in undefined operation.

Table 71 Control register for CDB2: 0xF0D9

MNEMONIC	R/W	DATA BYTE							
		7	6	5	4	3	2	1	0
CCTL	R/W	HSTSH	HSH	CDB2ECC	–	–	–	0	RSTA

High performance Compact
Disc-Recordable (CD-R) controller

SAA7390

Table 72 CCTL field descriptions

FIELD	LOGIC	DESCRIPTION
RSTA		to reset CDB2, first set RSTA HIGH then LOW
CDB2ECC		when set, enables the ECC RAM to be used by the CDB2 during encoding of ECC parity
HSH ⁽¹⁾	0	header supplied from CDB2
	1	header supplied by host
HSTSH ⁽²⁾	0	sub-header supplied from CDB2
	1	sub-header supplied by host

Table 73 Status register for CDB2: 0xF0DA

MNEMONIC	R/W	DATA BYTE							
		7	6	5	4	3	2	1	0
CSTAT	R	COM/SYS	COMSYNC	SYSSYNC	ACKINT	COMACK	–	–	EOFCDB2

Table 74 CCTL field descriptions

FIELD	DESCRIPTION
EOFCDB2	end of frame interrupt from CDB2; generated in both bypass and CD-ROM modes
COMACK	Acknowledge signal from the basic engine indicating reception of a byte in its register. The HIGH-to-LOW transition of this signal indicates 'ready to receive' and generates an interrupt to the microcontroller.
ACKINT	indicates a HIGH-to-LOW transition on COMACK; this status is not affected by masking bits
SYSSYNC	one of the serial synchronization signals
COMSYNC	one of the serial synchronization signals
COM/SYS	combination of the SYSSYNC and COMSYNC interrupts; control of selection is via SC_CTL

High performance Compact Disc-Recordable (CD-R) controller

SAA7390

12 FRAME BUFFER ORGANIZATION

The break-down of the 3 kbytes frame buffer is described in this section.

Table 75 Frame buffer organization

DECIMAL			HEXADECIMAL			DATA
START	END	LEN	START	END	LEN	
0	11	12	000	00B	00C	synchronization field
12	15	4	00C	00F	004	header
16	2063	2048	010	80F	800	frame data
2064	2067	4	810	813	004	CRC parity
2068	2075	8	814	81B	008	padding
2076	2247	172	81C	8C7	0AC	P parity
2248	2351	104	8C8	92F	068	Q parity
2352	2367	16	930	93F	010	Q channel
2368	2463	96	940	99F	060	sub-channel
2464	2757	294	9A0	AC5	126	error flags
2758	2761	4	AC6	AC9	004	CRC remainder
2762	2933	172	ACA	B75	0AC	P syndromes
2934	3037	104	B76	BDD	068	Q syndromes
3038	3038	1	BDE	BDE	001	status

Table 76 ECC RAM organization

DEC	HEX	BYTE NUMBER			
		3	2	1	0
000	000	psyn[00].s1	psyn[00].s0	qsyn[00].s1	qsyn[00].s0
↓	↓	↓	↓	↓	↓
204	0CC	psyn[51].s1	psyn[51].s0	qsyn[51].s1	qsyn[51].s0
208	0D0	psyn[52].s1	psyn[52].s0	flags[001]	flags[000]
↓	↓	↓	↓	↓	↓
340	154	psyn[85].s1	psyn[85].s0	flags[067]	flags[066]
344	158	flags[071]	flage[070]	flags[069]	flags[068]
↓	↓	↓	↓	↓	↓
564	234	flags[291]	flage[290]	flags[289]	flags[288]
568	238	unused[1]	unused[0]	flags[293]	flags[292]
572	23C	crc_rem[3]	crc_rem[2]	crc_rem[1]	crc_rem[0]
576	240	header[3]	header[2]	header[1]	header[0]
580	244	ecc_reg[03]	ecc_reg[02]	ecc_reg[01]	ecc_reg[00]
584	248	ecc_reg[07]	ecc_reg[06]	ecc_reg[05]	ecc_reg[04]
588	588	ecc_reg[11]	ecc_reg[10]	ecc_reg[09]	ecc_reg[08]

High performance Compact Disc-Recordable (CD-R) controller

SAA7390

13 SUMMARY OF CONTROL REGISTER MAP

Table 77 Control register map for the SAA7390

ADDRESS	MNEMONIC	READ/WRITE	DESCRIPTION
F084	QZERO	R	Q channel zero byte
F085	ECCCTL	R/W	ECC control register
F086	ECCSTAT	R	ECC status register
F08E	NUM_COR	R	ECC register for the number of corrections
F08F	TDB_CNT	R/W	track descriptor count
F091	CLKSEL	W	start the clock synthesizer (doubler)
F092	HDRMODE	R	header mode byte from block decoder
F093	HDRFRM	R	header frame byte from block decoder
F094	QFRM	R	Q channel frame (track relative)
F095	QMIN	R	Q channel minutes (track relative)
F096	TDB	R/W	track descriptor block frame number low
F097	TDB	R/W	track descriptor block frame number high
F09A	HDRSEC	R	header seconds byte from block decoder
F09B	HDRMIN	R	header minutes byte from block decoder
F09C	HOFF	R	host interface offset register low
F09D	HOFF	R	host interface offset register high
F09E	FEOFF	R	front-end offset register low
F09F	FEOFF	R	front-end offset register high
F0A1	WTS2B	W	S2B UART transmit buffer
F0A2	RDS2B	R	S2B UART receive buffer
F0A3	S2BSTAT	R	S2B UART status register
F0A4	HOSTPASS	R/W	interface device pass through register address 0x00
F0A5	HOSTPASS	R/W	interface device pass through register address 0x01
F0A6	HOSTPASS	R/W	interface device pass through register address 0x02
F0A7	HOSTPASS	R/W	interface device pass through register address 0x03
F0A9	QTNO	R	Q channel track number
F0AA	QMODE	R	Q channel mode number
F0AB	QAMIN	R	Q channel minutes number (absolute)
F0AC	HOSTPASS	R/W	interface device pass through register address 0x04
F0AD	HOSTPASS	R/W	interface device pass through register address 0x05
F0AE	HOSTPASS	R/W	interface device pass through register address 0x06
F0AF	HOSTPASS	R/W	interface device pass through register address 0x07
F0B1	QASEC	R	Q channel seconds (absolute)
F0B2	QAFRM	R	Q channel frames (absolute)
F0B3	–	–	not connected
F0B4	HOSTPASS	R/W	interface device pass through register address 0x08
F0B5	HOSTPASS	R/W	interface device pass through register address 0x09
F0B6	HOSTPASS	R/W	interface device pass through register address 0x0A

High performance Compact Disc-Recordable (CD-R) controller

SAA7390

ADDRESS	MNEMONIC	READ/WRITE	DESCRIPTION
F0B7	HOSTPASS	R/W	interface device pass through register address 0x0B
F0B9	WTGCTL	W	GLIC control registers (audio control)
F0BA	RDSW	R	drive control switches register
F0BB	FECTL	R/W	front-end control register
F0BC	HOSTPASS	R/W	interface device pass through register address 0x0C
F0BD	HOSTPASS	R/W	interface device pass through register address 0x0D
F0BE	HOSTPASS	R/W	interface device pass through register address 0x0E
F0BF	HOSTPASS	R/W	interface device pass through register address 0x0F
F0C0	BRGSEL	R/W	baud rate generator select register
F0C1	WTDIR	R/W	SAA7390-host interface direction plus audio mode control
F0C2	GPIOCTL	R/W	general purpose bits control register
F0C3	RDDSTAT	R	data status register
F0C4	SERCOM	R/W	SAA7390: basic engine communications port
F0C5	STRTMIN	R/W	start minutes (automatic control)
F0C6	STRTSEC	R/W	start seconds (automatic control)
F0C6	STOPCNT	R/W	stop count low byte (automatic control)
F0C7	STRTRFM	R/W	start frame (automatic control)
F0C7	STOPCNT	R/W	stop count high byte (automatic control)
F0C9	RDJMPRS	R	option jumper register (attached to DRAM data bus)
F0CE	CMSK	R/W	CDB2 interrupt mask register
F0CF	QINDX	R	Q channel index (track relative)
F0D1	CCMD	R/W	CDB2 command register
F0D2	CSTS	R	CDB2 status register
F0D3	CBCH	R/W	CDB2 block counter high
F0D4	CBCL	R/W	CDB2 block counter low
F0D5	CMIN	R/W	CDB2 header minutes register
F0D6	CSEC	R/W	CDB2 header seconds register
F0D7	CFRM	R/W	CDB2 header frame register
F0D8	CTST	W	test register for CDB2 block
F0D9	CCTL	R/W	control register for CDB2 block
F0DA	CSTAT	R	status register for CDB2 block
F0DB	CMDE	R/W	CDB2 header mode register
F0DC	CFN	R/W	CDB2 file number register
F0DD	CCHAN	R/W	CDB2 channel number register
F0DE	CSMD	R/W	CDB2 sub-mode byte register
F0DF	CDTB	R/W	CDB2 data type byte register
F0E1	BMFECTL	R/W	buffer manager front-end control
F0E2	FEFRMOFF	R/W	front-end 8 LSBs; frame offset
F0E3	FEFRMOFF	R/W	front-end 4 MSBs; frame offset (bit 0 to bit 3)
F0E4	FEFRM#	R/W	front-end 8 LSBs of the frame
F0E5	FEFRM#	R/W	front-end 3 MSBs of the frame (bit 0 to bit 2)

High performance Compact Disc-Recordable (CD-R) controller

SAA7390

ADDRESS	MNEMONIC	READ/WRITE	DESCRIPTION
F0E6	LSTCMPFM	R	8 LSBs; last complete frame number
F0E7	LSTCMPFM	R	3 MSBs; last complete frame number (bit 0 to bit 2)
F0E8	HSTOFFS	R/W	host interface 8 LSBs; offset start (A and B)
F0E9	HSTOFFS	R/W	host interface 4 MSBs; offset start (bit 0 to bit 3)
F0EA	HSTOFFE	R/W	host interface 8 LSBs; offset end (A and B)
F0EB	HSTOFFE	R/W	host interface 4 MSBs; offset end (bit 0 to bit 3)
F0EC	HSTSRM	R/W	host interface 8 LSBs; start transfer frame number
F0ED	HSTSRM	R/W	host interface 3 MSBs; start frame number (bit 0 to bit 2)
F0EE	HSTCFRM	R/W	host interface 8 LSBs; current frame number
F0EF	HSTCFRM	R/W	host interface 3 MSBs; current frame number (bit 0 to bit 2)
F0F1	SC_CTL	R/W	serial communication control
F0F2	LSTFHOST	R/W	last frame host interface LOW
F0F3	LSTFHOST	R/W	last frame host interface HIGH
F0F4	ECCFRM#	R/W	ECC 8 LSBs; frame number (frame address)
F0F5	ECCFRM#	R/W	ECC 3 MSBs; frame number (bit 0 to bit 2)
F0F6	MICFRM#	R/W	microcontroller 8 LSBs; frame number (frame address)
F0F7	MICFRM#	R/W	microcontroller 3 MSBs; frame number (bit 0 to bit 2)
F0F8	LASTFRM	R/W	last frame number for storage 8 LSBs
F0F9	LASTFRM	R/W	last frame number 3 MSBs (bit 0 to bit 2)
F0FA	QSEC	R	Q channel seconds (track relative)
F0FB	INTRMSK	R/W	interrupt mask register
F0FC	INTRFLG	R/W	interrupt flag register
F0FD	HOSTMOD	R/W	host interface mode control
F0FE	DRAMSEL	R/W	DRAM selection/test mode register.
F0FF	PAGEREG	R/W	80C32 linear address page register

High performance Compact Disc-Recordable (CD-R) controller

SAA7390

14 LIMITING VALUES

In accordance with the Absolute Maximum Rating System (IEC 134).

SYMBOL	PARAMETER	MIN.	MAX.	UNIT
V_{DD}	digital supply voltage	-0.5	+7	V
$V_{i(max)}$	maximum input voltage on any pin	$V_{SS} - 0.5$	$V_{DD} + 0.5$	V
V_o	output voltage on any output	-0.5	+7	V
T_{stg}	storage temperature	-55	+150	°C

15 OPERATING CHARACTERISTICS

15.1 I²S-bus timing; data mode

$V_{DD} = 4.75$ to 5.25 V; $V_{SS} = 0$ V; $T_{amb} = -10$ to $+70$ °C; unless otherwise specified.

SYMBOL	PARAMETER	CONDITIONS	MIN.	TYP.	MAX.	UNIT
I²S-bus timing (single speed × n); see Fig.15 and note 1						
CLOCK INPUT: CLAB						
T_{cy}	output clock period	sample rate = f_s	–	472.4/n	–	ns
		sample rate = $2 f_s$	–	236.2/n	–	ns
		sample rate = $4 f_s$	–	118.1/n	–	ns
t_{CH}	clock HIGH time	sample rate = f_s	166/n	–	–	ns
		sample rate = $2f_s$	83/n	–	–	ns
		sample rate = $4f_s$	42/n	–	–	ns
t_{CL}	clock LOW time	sample rate = f_s	166/n	–	–	ns
		sample rate = $2f_s$	83/n	–	–	ns
		sample rate = $4f_s$	42/n	–	–	ns
INPUTS: DAAB, WSAB AND EFAB						
t_{su}	set-up time	sample rate = f_s	95/n	–	–	ns
		sample rate = $2f_s$	48/n	–	–	ns
		sample rate = $4f_s$	24/n	–	–	ns
t_h	hold time	sample rate = f_s	95/n	–	–	ns
		sample rate = $2f_s$	48/n	–	–	ns
		sample rate = $4f_s$	24/n	–	–	ns

Note

- The I²S-bus timing is directly related to the overspeed factor 'n' in the normal operating mode. In the lock-to-disc mode 'n' is replaced by the disc speed factor 'd'.

High performance Compact Disc-Recordable (CD-R) controller

SAA7390

15.2 EIAJ timing; audio mode

$V_{DD} = 4.75$ to 5.25 V; $V_{SS} = 0$ V; $T_{amb} = -10$ to $+70$ °C; unless otherwise specified.

SYMBOL	PARAMETER	CONDITIONS	MIN.	TYP.	MAX.	UNIT
EIAJ timing (single speed × n); see Fig.16 and note 1						
CLOCK INPUT: CLAB						
T_{cy}	output clock period	sample rate = f_s	–	472.4/n	–	ns
		sample rate = $2 f_s$	–	236.2/n	–	ns
		sample rate = $4 f_s$	–	118.1/n	–	ns
t_{CH}	clock HIGH time	sample rate = f_s	166/n	–	–	ns
		sample rate = $2f_s$	83/n	–	–	ns
		sample rate = $4f_s$	42/n	–	–	ns
t_{CL}	clock LOW time	sample rate = f_s	166/n	–	–	ns
		sample rate = $2f_s$	83/n	–	–	ns
		sample rate = $4f_s$	42/n	–	–	ns
INPUTS: DAAB, WSAB AND EFAB						
t_{su}	set-up time	sample rate = f_s	95/n	–	–	ns
		sample rate = $2f_s$	48/n	–	–	ns
		sample rate = $4f_s$	24/n	–	–	ns
t_h	hold time	sample rate = f_s	95/n	–	–	ns
		sample rate = $2f_s$	48/n	–	–	ns
		sample rate = $4f_s$	24/n	–	–	ns

Note

1. The EIAJ timing is directly related to the overspeed factor 'n' in the normal operating mode. In the lock-to-disc mode 'n' is replaced by the disc speed factor 'd'.

High performance Compact Disc-Recordable (CD-R) controller

SAA7390

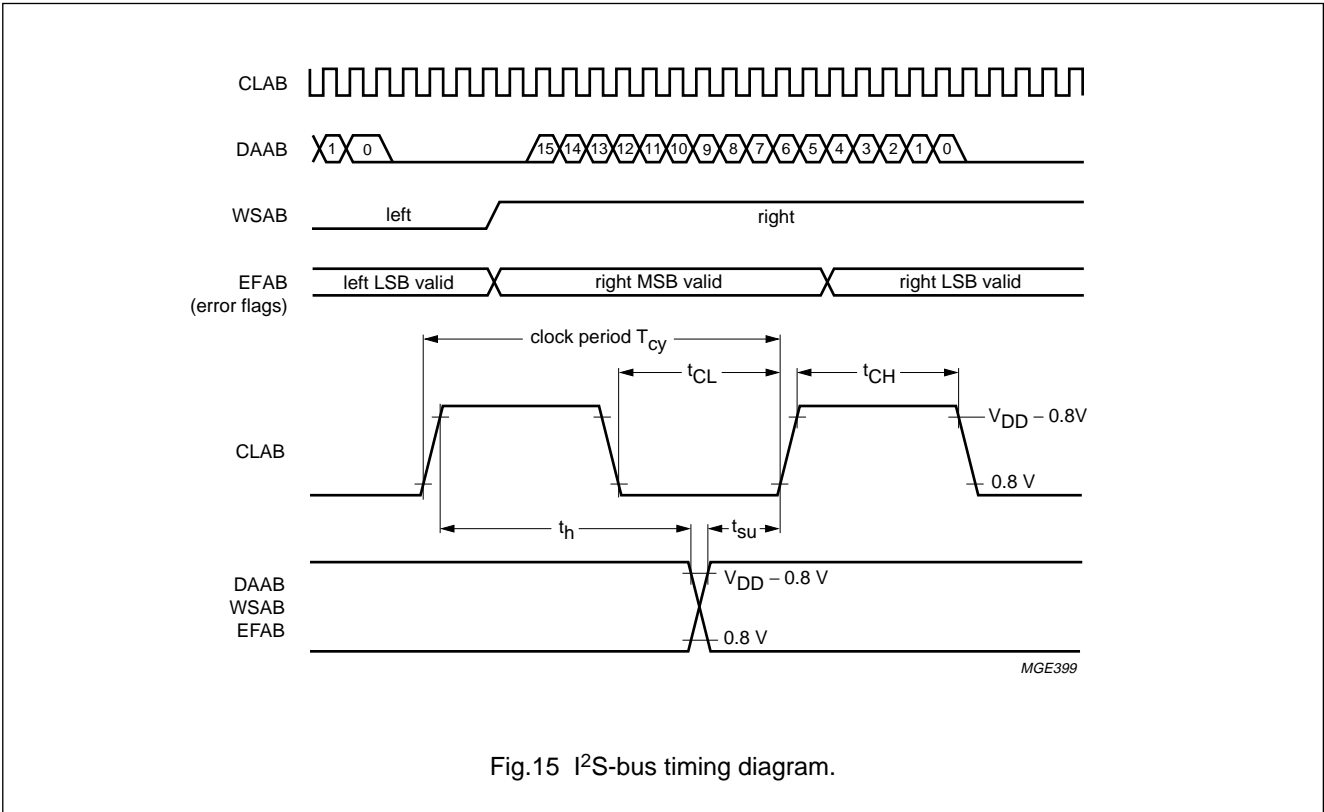


Fig.15 I²S-bus timing diagram.

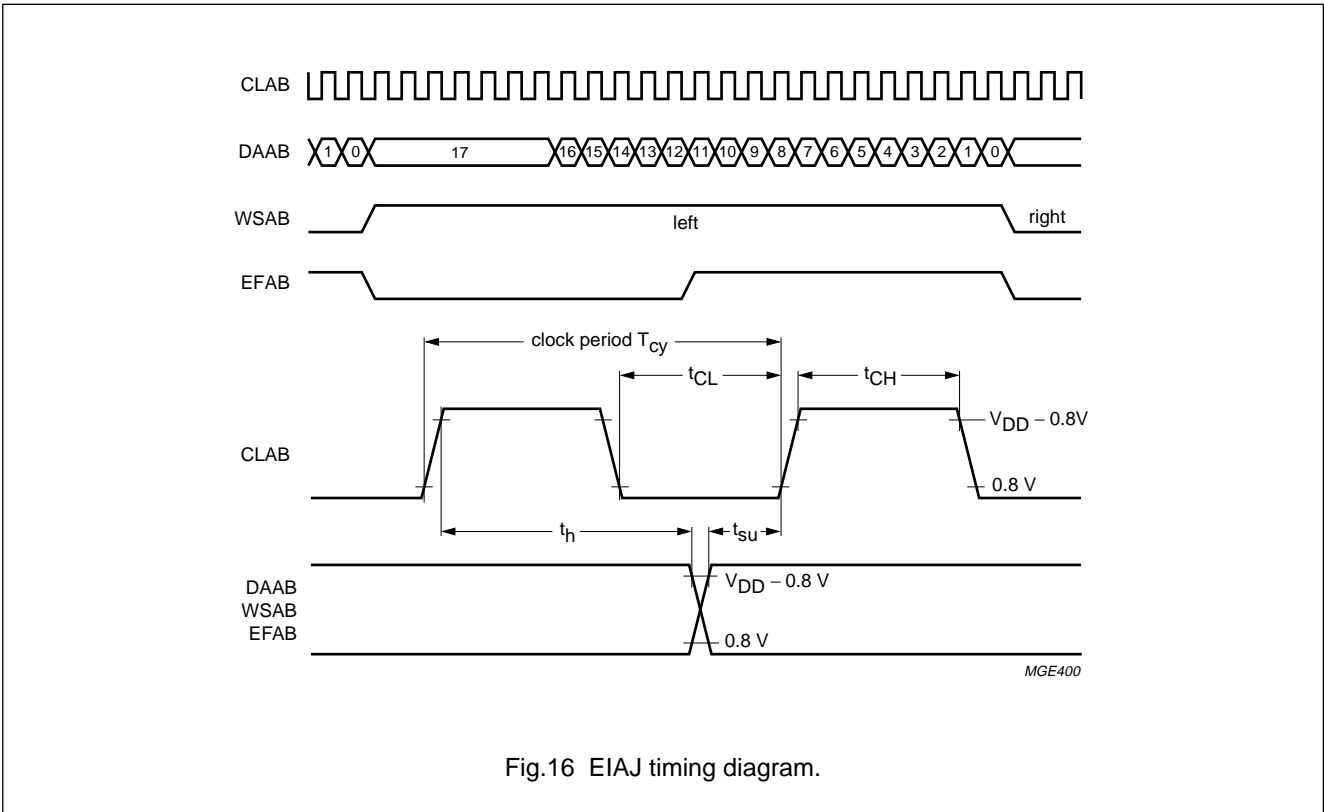


Fig.16 EIAJ timing diagram.

High performance Compact Disc-Recordable (CD-R) controller

SAA7390

15.3 R-W timing (see Fig.17)

The data from sub-code R-W may be read via the V4 pin from the CD-decoder (SAA7372) and has a format similar to RS232. The sub-code synchronization word is formatted by a pause of 200 μ s minimum. Each sub-code byte starts with a logic 1 followed by seven bits (Q to W). The gap between bytes is variable between 1.3 and 90 μ s.

15.4 C-flag timing (see Fig.18)

A 1-bit flag signal is input to the CFLAG pin. This signal shows the status of the error corrector and interpolator and is updated every frame.

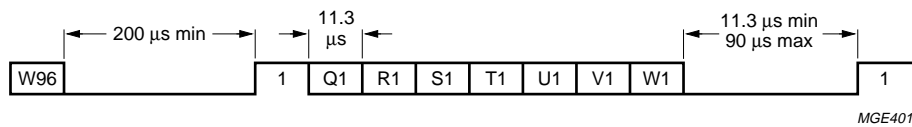


Fig.17 Sub-code formatting and timing from the V4 pin.

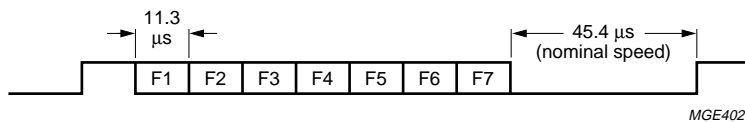


Fig.18 C-flag output timing.

High performance Compact Disc-Recordable (CD-R) controller

SAA7390

15.5 S2B interface timing

The S2B serial interface consists of four lines (see Fig.19):

Transmit data (TXD)

Receive data (RXD)

Data path ready to accept data; active LOW ($\overline{\text{CPR}}$)

Basic engine ready to accept data; active LOW ($\overline{\text{SPR}}$).

These are used for communication. TXD and $\overline{\text{CPR}}$ for sending acknowledges and information data to the data path and RXD and $\overline{\text{SPR}}$ for receiving commands and parameters from the data path. The data is transferred frame-wise and asynchronously.

A data frame is preceded by a start-bit (active LOW), followed by the actual data byte, and again followed by a parity bit (even parity), and a stop bit (active HIGH), see Fig.20. In total, eleven bits per frame are incorporated.

The interface is full duplex, meaning data frames may be transmitted and received simultaneously.

The bit-rate is selectable:

187.5 kbits/s with a 2.6% error

62.5 kbits/s with a 0.4% error

31.25 kbits/s with a 0.4% error.

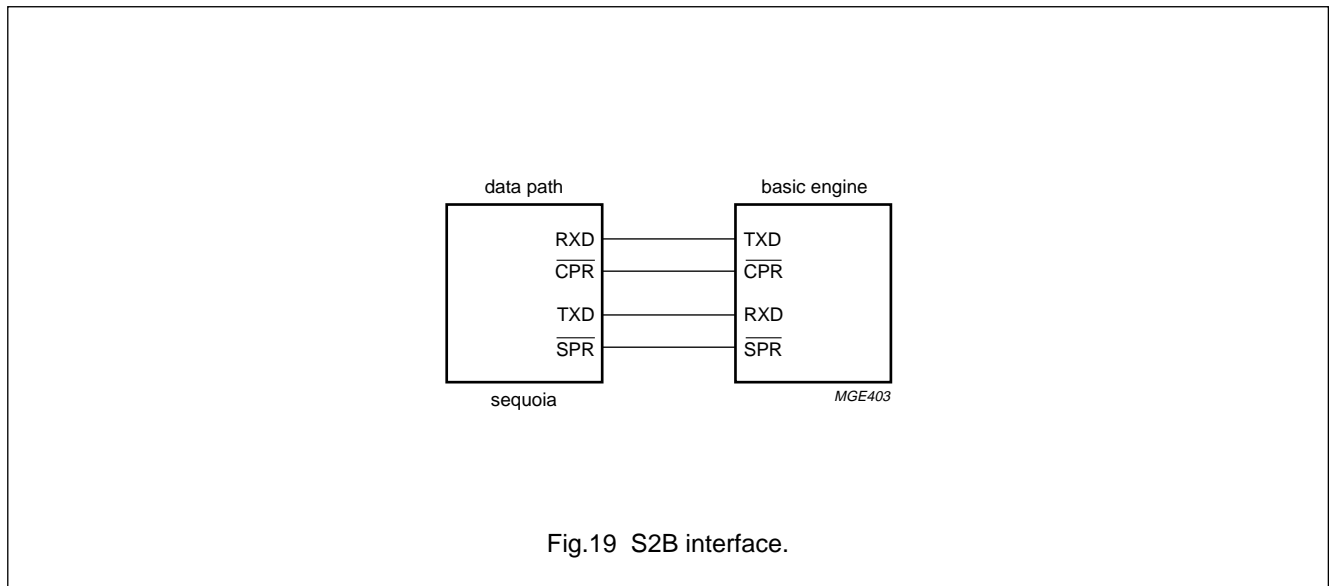


Fig.19 S2B interface.

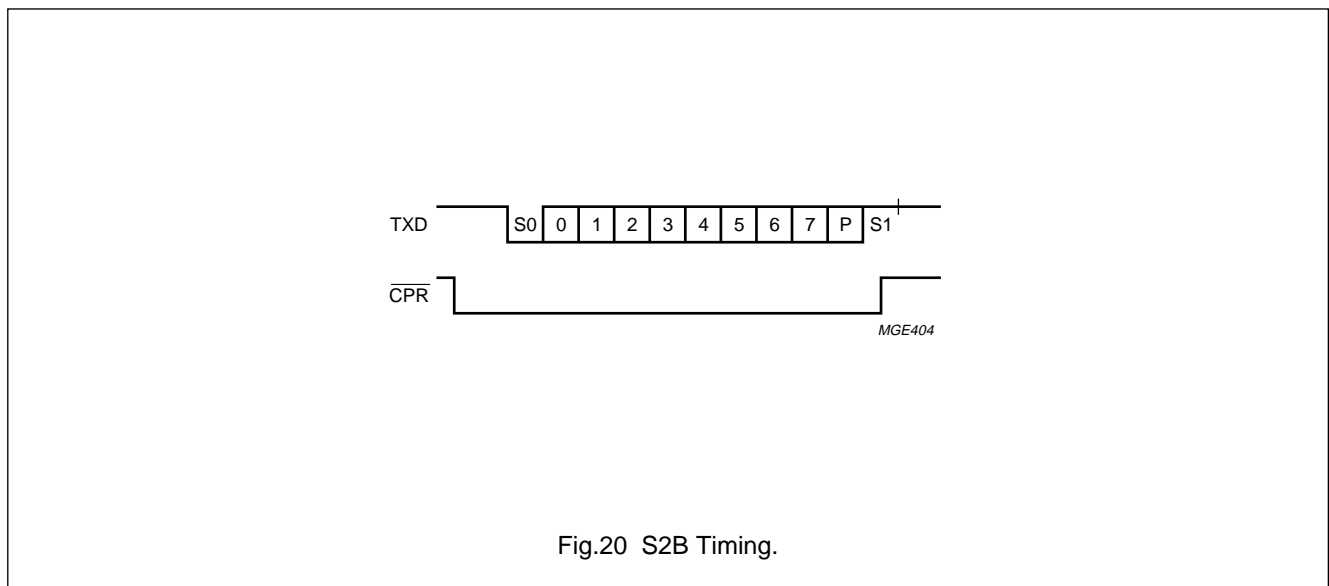


Fig.20 S2B Timing.

High performance Compact Disc-Recordable (CD-R) controller

SAA7390

15.6 SPI interface timing

The control communication between the CD-R engine and the interface module is based on data blocks that are swapped in the same cycle.

The control communication channel is byte and message synchronous. Byte synchronization is realized with an acknowledge after each byte that is transferred. Message synchronization is ensured through resetting the serial shift register after each communication synchronization pulse. This is to detect the start of the next data block even if a time-out or bit-slip occurs.

This control interface is used for the exchange of:

- Sub-code data
- Commands with parameters
- Status information.

The control interface channel is implemented as a bidirectional, synchronous, high-speed serial link, having the following advantages:

- The Q sub-code and header data can be coupled (synchronized)
- The user part has real time access of the Q sub-code information
- The user part has full control over the CD-R engines mode of operation, for example synchronous stop while recording
- High speed data transfers are possible; up to 2 Mbits/s for the microcontroller in slave mode.

Table 78 SPI timing parameters

SYMBOL	PARAMETER	MIN.	MAX.	UNIT
T_{cy}	serial clock cycle time	500	–	ns
t_{CH}	serial clock HIGH time	210	–	ns
t_{CL}	Serial clock LOW time	210	–	ns
t_{su}	serial input data set-up time to COM_CLK	80	–	ns
t_h	serial input data hold time from COM_CLK	80	–	ns
t_d	serial output delay after COM_CLK	0	150	ns

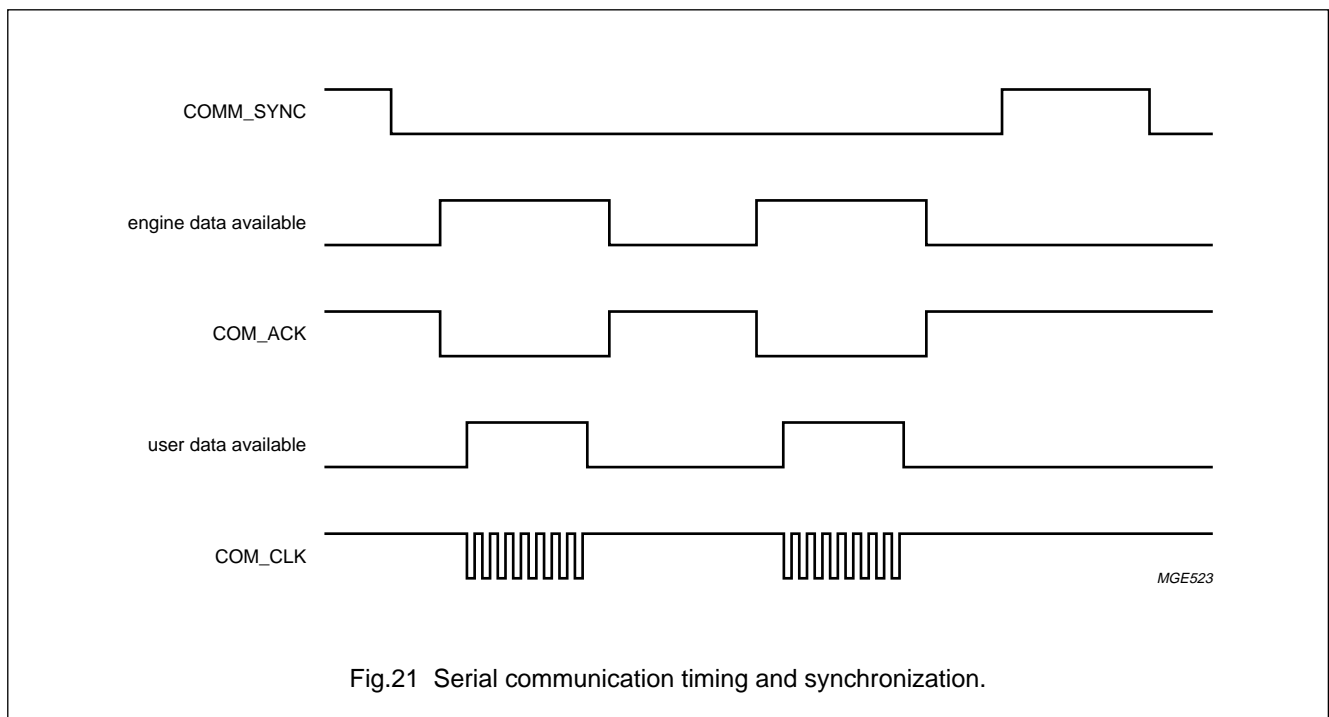


Fig.21 Serial communication timing and synchronization.

High performance Compact Disc-Recordable (CD-R) controller

SAA7390

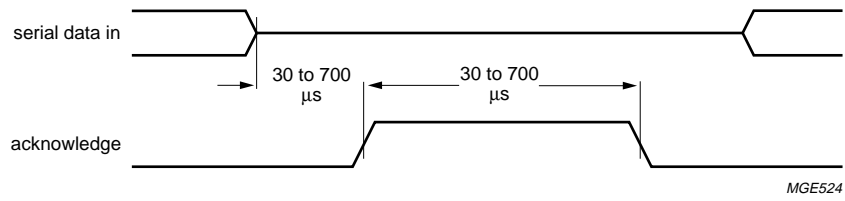


Fig.22 Acknowledge signal timing.

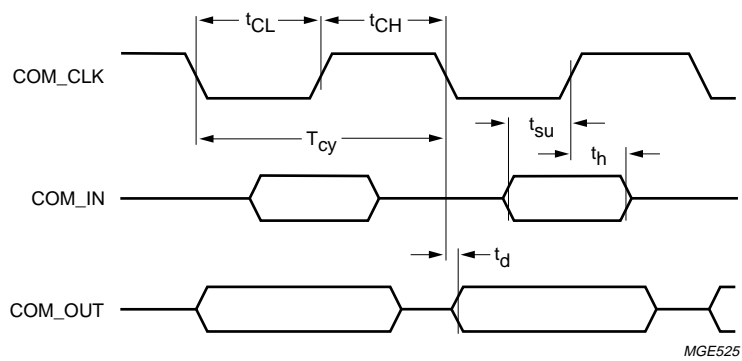


Fig.23 Synchronous serial communication channel timing.

High performance Compact Disc-Recordable (CD-R) controller

SAA7390

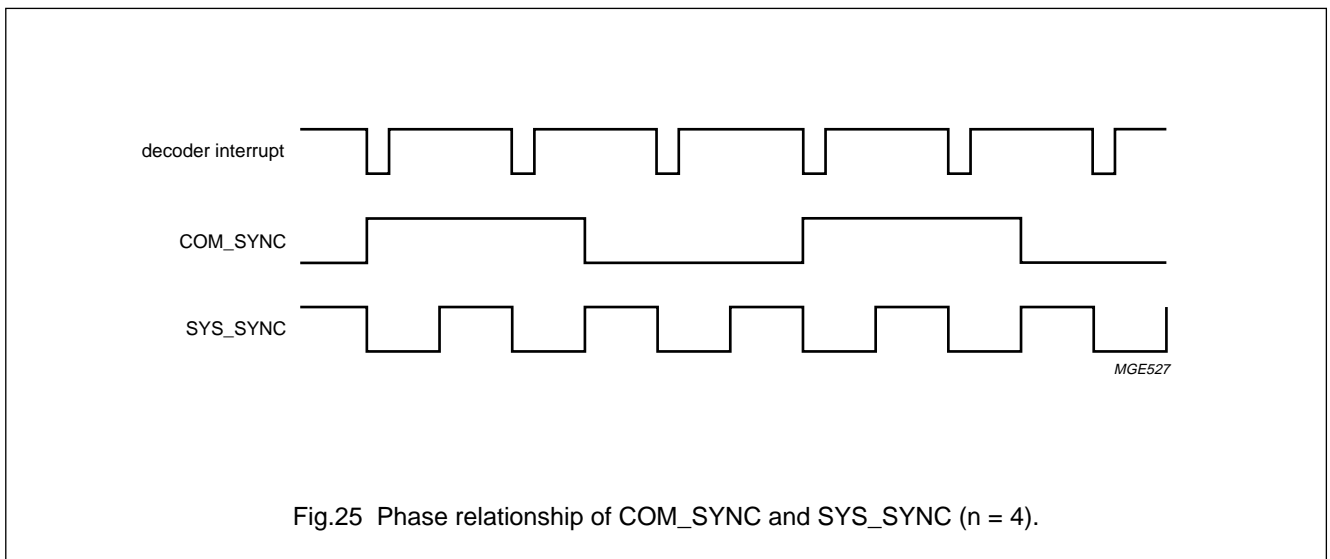
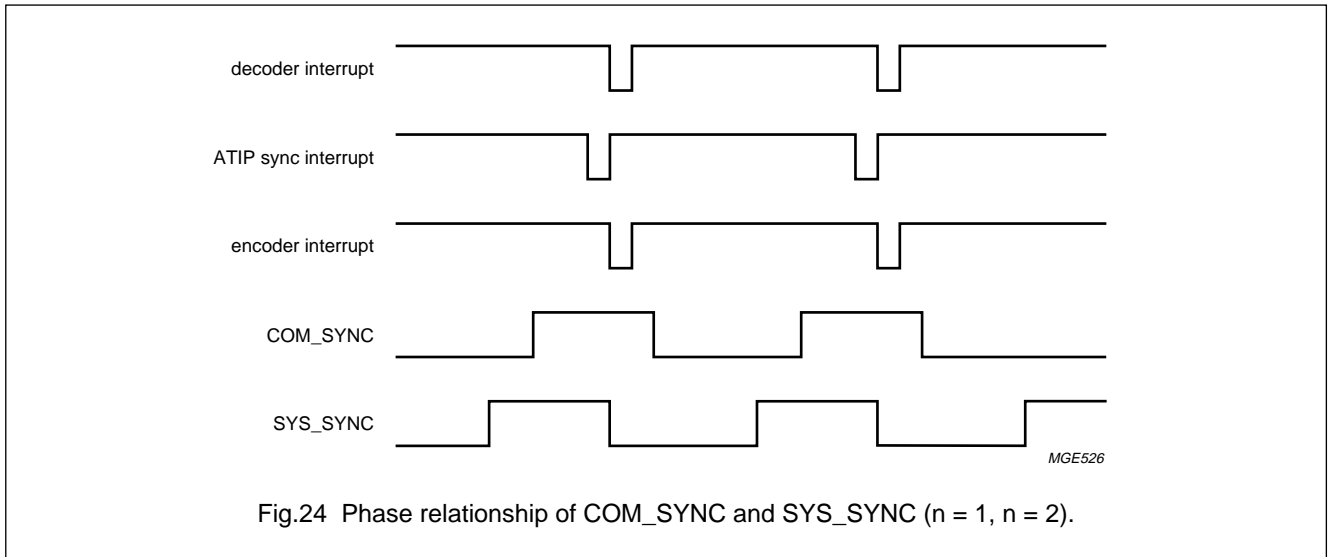
15.6.1 RELATIONSHIP BETWEEN COMMUNICATION AND SYSTEM SYNCHRONIZATION

The system synchronization line (SYS_SYNC) is locked on a hardware generated frame synchronization; the decoders sub-code, the ATIP and the encoders synchronization signals. The communication synchronization line (COM_SYNC) has the same frequency as SYS_SYNC, except for four-times speed operation, where it is down-scaled with a factor 3.

Table 80 provides a representation between the speed and synchronization lines.

Table 79 Relationship of synchronization line frequency and speed.

SIGNAL	SPEED (ms)			
	n = 1	n = 2	n = 4	n = 6
SYS_SYNC (full period)	13.3	6.6	3.3	2.2
SYS_SYNC (half period)	6.6	3.3	1.66	1.1
COM_SYNC (half period)	6.6	3.3	5.0	3.3



High performance Compact Disc-Recordable (CD-R) controller

SAA7390

15.7 Microprocessor interface

$V_{DD} = 4.75$ to 5.25 V; $V_{SS} = 0$ V; $T_{amb} = -10$ to $+70$ °C; unless otherwise specified.

SYMBOL	PARAMETER	MIN.	MAX.	UNIT
Microprocessor timing; see Figs 26, 27 and 28				
t_{LHLL}	ALE pulse width	60	–	ns
t_{AVLL}	address valid to ALE LOW	15	–	ns
t_{LLAX}	address hold after ALE LOW	35	–	ns
t_{LLPL}	ALE LOW to \overline{PSEN} LOW	25	–	ns
t_{PLPH}	\overline{PSEN} pulse width	80	–	ns
t_{PLIV}	\overline{PSEN} LOW to valid input instruction	–	65	ns
t_{PXIX}	Input instruction hold after \overline{PSEN}	0	–	ns
t_{PXIZ}	Input instruction float after \overline{PSEN}	–	30	ns
t_{AVIV}	address to valid input instruction	–	130	ns
t_{PLAZ}	\overline{PSEN} low to address float	–	6	ns
t_{RLRH}	$\overline{UC_RD}$ pulse width	180	–	ns
t_{WLWH}	$\overline{UC_WR}$ pulse width	180	–	ns
t_{RLDV}	$\overline{UC_RD}$ LOW to valid input data	–	135	ns
t_{RHDX}	data hold after $\overline{UC_RD}$	0	–	ns
t_{RHDX}	data float after $\overline{UC_RD}$	–	70	ns
t_{LLDV}	ALE LOW to valid input data	–	235	ns
t_{AVDV}	address to valid input data	–	260	ns
t_{LLWL}	ALE LOW to $\overline{UC_RD}$ or $\overline{UC_WR}$ LOW	90	115	ns
t_{AVWL}	address LOW to $\overline{UC_RD}$ or $\overline{UC_WR}$ LOW	115	–	ns
t_{QVWX}	data valid to $\overline{UC_WR}$ transition	20	–	ns
t_{WHQX}	data hold after $\overline{UC_WR}$	20	–	ns
t_{RLAZ}	$\overline{UC_RD}$ LOW to address float	–	0	ns
t_{WHLH}	$\overline{UC_RD}$ or $\overline{UC_WR}$ LOW to ALE HIGH	20	40	ns

High performance Compact
Disc-Recordable (CD-R) controller

SAA7390

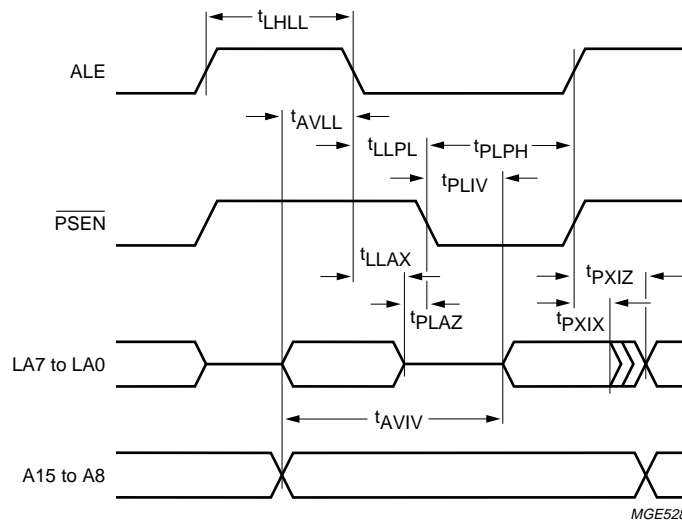


Fig.26 External program memory read cycle.

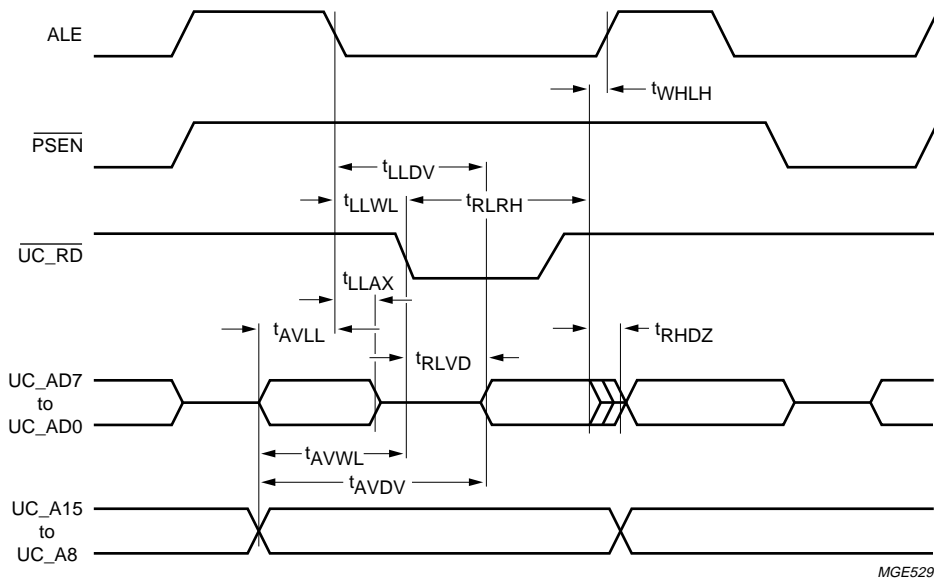


Fig.27 External data memory read cycle.

High performance Compact
Disc-Recordable (CD-R) controller

SAA7390

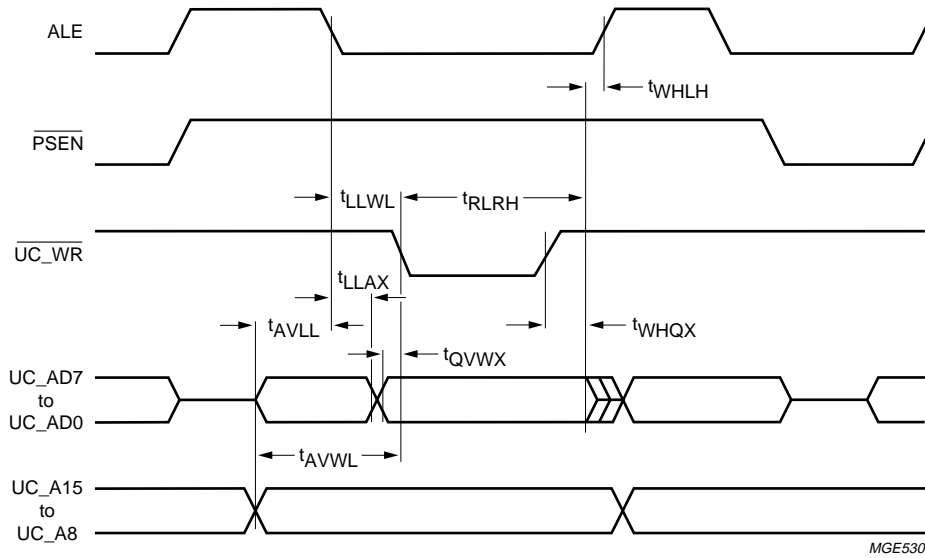


Fig.28 External data memory write cycle.

High performance Compact Disc-Recordable (CD-R) controller

SAA7390

15.8 Host interface

15.8.1 REGISTER INTERFACE

$V_{DD} = 4.75$ to 5.25 V; $V_{SS} = 0$ V; $T_{amb} = -10$ to $+70$ °C; unless otherwise specified.

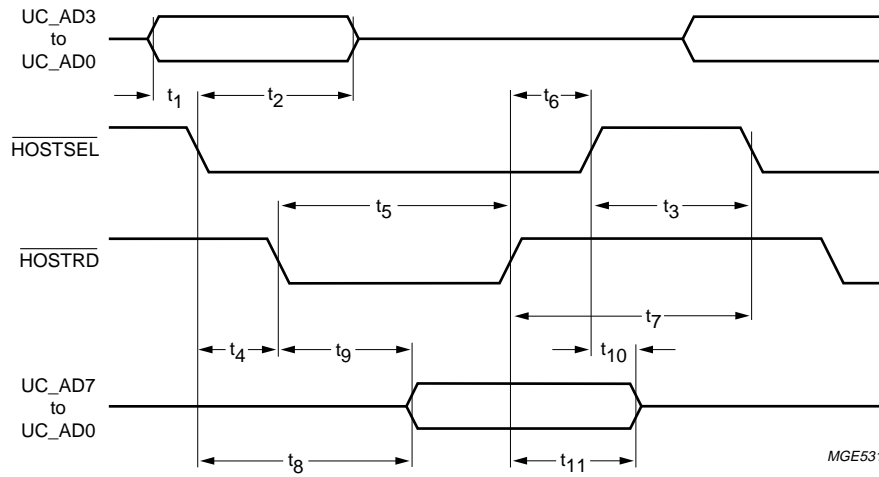
SYMBOL	PARAMETER	MIN.	MAX.	UNIT
Read cycle timing; see Fig.29; note 1				
t_1	address set-up time to $\overline{\text{HOSTSEL}}$ LOW	0	–	ns
t_2	address hold time from $\overline{\text{HOSTSEL}}$ LOW	50	–	ns
t_3	$\overline{\text{HOSTSEL}}$ HIGH to $\overline{\text{HOSTSEL}}$ LOW	40	–	ns
t_4	$\overline{\text{HOSTSEL}}$ LOW to $\overline{\text{HOSTRD}}$ LOW	0	–	ns
t_5	$\overline{\text{HOSTRD}}$ pulse width	25	–	ns
t_6	$\overline{\text{HOSTRD}}$ HIGH to $\overline{\text{HOSTSEL}}$ HIGH	0	–	ns
t_7	$\overline{\text{HOSTRD}}$ HIGH to $\overline{\text{HOSTSEL}}$ LOW	40	–	ns
t_8	$\overline{\text{HOSTSEL}}$ LOW to data valid	0	40	ns
t_9	$\overline{\text{HOSTRD}}$ LOW to data valid	0	25	ns
t_{10}	$\overline{\text{HOSTSEL}}$ HIGH to data release	2	25	ns
t_{11}	$\overline{\text{HOSTRD}}$ HIGH to data release	2	25	ns
Write cycle timing; see Fig.30; note 1				
t_1	address set-up time to $\overline{\text{HOSTSEL}}$ LOW	0	–	ns
t_2	address hold time from $\overline{\text{HOSTSEL}}$ LOW	50	–	ns
t_3	$\overline{\text{HOSTSEL}}$ HIGH to $\overline{\text{HOSTSEL}}$ LOW	40	–	ns
t_4	$\overline{\text{HOSTSEL}}$ LOW to $\overline{\text{HOSTWR}}$ LOW	0	–	ns
t_5	$\overline{\text{HOSTWR}}$ pulse width	25	–	ns
t_6	$\overline{\text{HOSTWR}}$ HIGH to $\overline{\text{HOSTSEL}}$ HIGH	0	–	ns
t_7	$\overline{\text{HOSTWR}}$ HIGH to $\overline{\text{HOSTSEL}}$ LOW	40	–	ns
t_8	$\overline{\text{HOSTWR}}$ HIGH to $\overline{\text{HOSTWR}}$ LOW	40	40	ns
t_9	data set-up time to $\overline{\text{HOSTWR}}$ HIGH	8	25	ns
t_{10}	data hold time from $\overline{\text{HOSTWR}}$ HIGH	0	25	ns
t_{11}	data set-up time to $\overline{\text{HOSTSEL}}$ HIGH	10	25	ns
t_{12}	data hold time from $\overline{\text{HOSTSEL}}$ HIGH	35	25	ns

Note

1. These timings are taken from the 53CF90; the 53CD92A/B timings are slightly different.

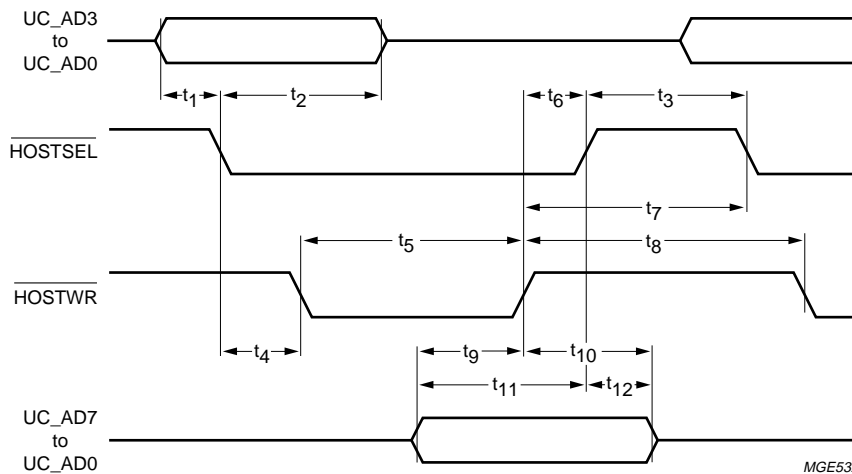
High performance Compact
Disc-Recordable (CD-R) controller

SAA7390



MGE531

Fig.29 Register read cycle timing.



MGE532

Fig.30 Register write cycle timing.

High performance Compact Disc-Recordable (CD-R) controller

SAA7390

15.8.2 DMA INTERFACE TIMING

$V_{DD} = 4.75$ to 5.25 V; $V_{SS} = 0$ V; $T_{amb} = -10$ to $+70$ °C; unless otherwise specified.

SYMBOL	PARAMETER	MIN.	MAX.	UNIT
DMA read cycle timing; see Fig.31				
t_1	\overline{DACK} LOW to DREQ LOW	–	20	ns
t_2	\overline{DACK} HIGH to DREQ HIGH	–	20	ns
t_3	\overline{DACK} HIGH to \overline{DACK} LOW	12	–	ns
t_4	\overline{DACK} pulse width	35	–	ns
t_5	\overline{DACK} LOW to \overline{DACK} LOW	75	–	ns
t_6	\overline{DACK} HIGH to \overline{DACK} HIGH	note 1	–	ns
t_7	\overline{DACK} LOW to \overline{HOSTRD} LOW	0	–	ns
t_8	\overline{HOSTRD} pulse width	t_{12}	–	ns
t_9	\overline{HOSTRD} HIGH to \overline{DACK} HIGH	0	–	ns
t_{10}	\overline{DACK} HIGH to data valid	–	30	ns
t_{11}	\overline{DACK} LOW to data valid	–	25	ns
t_{12}	\overline{HOSTRD} LOW to data valid	–	25	ns
t_{13}	\overline{DACK} HIGH to data release	2	25	ns
t_{14}	\overline{HOSTRD} HIGH to data release	2	25	ns
DMA write cycle timing; see Fig.32				
t_1	\overline{DACK} LOW to DREQ LOW	–	20	ns
t_2	\overline{DACK} HIGH to DREQ HIGH	–	20	ns
t_3	\overline{DACK} HIGH to \overline{DACK} LOW	12	–	ns
t_4	\overline{DACK} pulse width	35	–	ns
t_5	\overline{DACK} LOW to \overline{DACK} LOW	75	–	ns
t_6	\overline{DACK} HIGH to \overline{DACK} HIGH	note 1	–	ns
t_7	\overline{DACK} LOW to \overline{HOSTWR} LOW	0	–	ns
t_8	\overline{HOSTWR} pulse width	30	–	ns
t_9	\overline{HOSTWR} HIGH to \overline{DACK} HIGH	0	–	ns
t_{10}	\overline{HOSTWR} HIGH to \overline{HOSTWR} HIGH	30	–	ns
t_{11}	data set-up time to \overline{HOSTWR} HIGH	8	–	ns
t_{12}	data hold time from \overline{HOSTWR} HIGH	0	–	ns
t_{13}	data set-up time to \overline{DACK} HIGH	10	–	ns
t_{14}	data hold time from \overline{DACK} HIGH	10	–	ns

Note

- $t_{CS} + 30 - t_3$ and t_{CP} ; where t_{CS} is the synchronization latency and t_{CP} is the clock period.

High performance Compact
Disc-Recordable (CD-R) controller

SAA7390

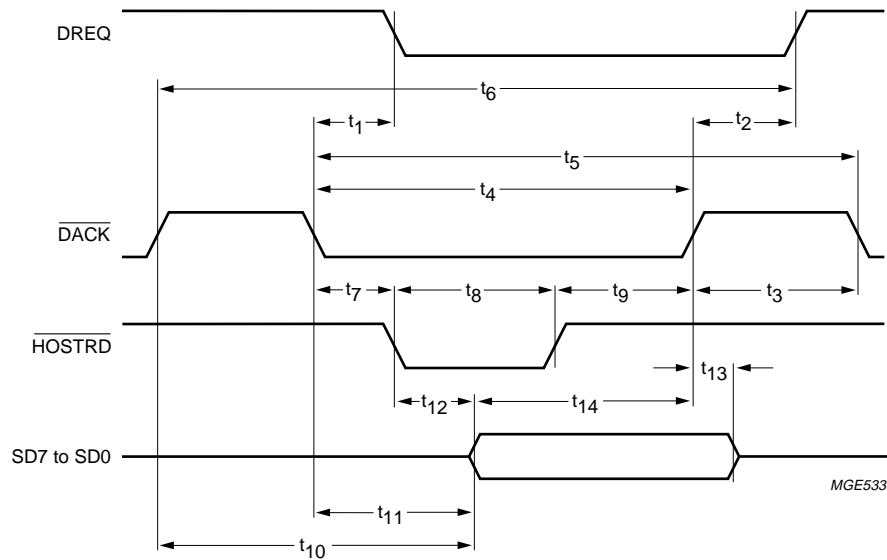


Fig.31 DMA read cycle timing.

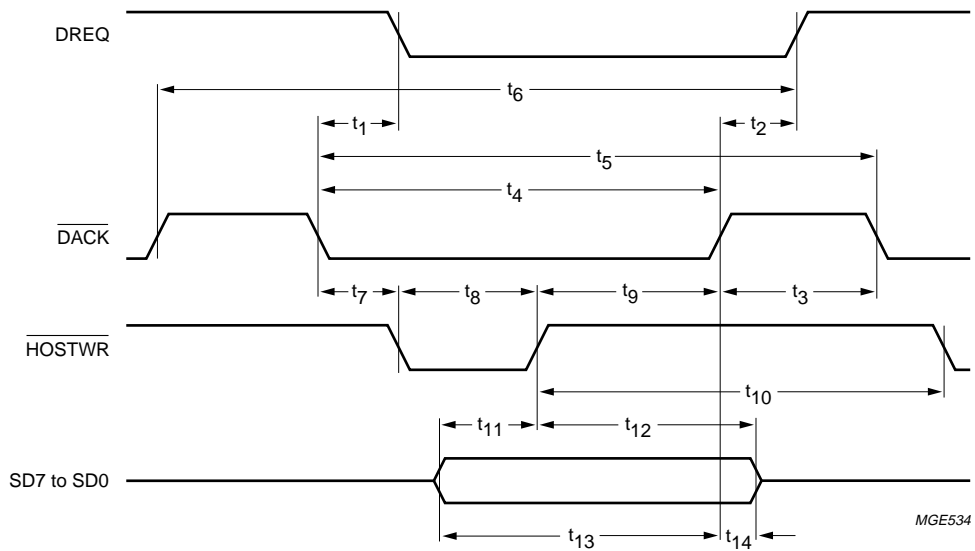


Fig.32 DMA write cycle timing.

High performance Compact Disc-Recordable (CD-R) controller

SAA7390

15.9 DRAM interface (the SAA7390 is designed to operate with standard 70 ns DRAMs)

$V_{DD} = 4.75$ to 5.25 V; $V_{SS} = 0$ V; $T_{amb} = -10$ to $+70$ °C; unless otherwise specified.

SYMBOL	PARAMETER	MIN.	MAX.	UNIT
DRAM interface timing; see Figs 33 to 37				
$t_{acc;CA}$	access time from column address	–	35	ns
$t_{hCA;RAS}$	column address hold time from \overline{RAS}	55	–	ns
$t_{su;CA}$	column address set-up time	0	–	ns
$t_{su;RA}$	row address set-up time	0	–	ns
$t_{acc;CAS}$	access time from \overline{CAS}	–	20	ns
$t_{h;CA}$	column address hold time	15	–	ns
$t_{W;CAS}$	\overline{CAS} pulse width	20	10000	ns
$t_{h;CAS}$	\overline{CAS} hold time (CBR refresh)	15	–	ns
t_{CASLZ}	\overline{CAS} to output in low impedance	3	–	ns
t_{pCAS}	\overline{CAS} precharge time	10	–	ns
$t_{acc;pCAS}$	access time from \overline{CAS} precharge	–	40	ns
$t_{pCAS;RAS}$	\overline{CAS} to \overline{RAS} precharge time	5	–	ns
$t_{h;CAS}$	\overline{CAS} hold time	70	–	ns
$t_{su;CAS}$	\overline{CAS} set-up time (CBR refresh)	5	–	ns
t_{wCASL}	write command to \overline{CAS} lead time	20	–	ns
$t_{h;DAT}$	data input hold time	15	–	ns
$t_{hDAT;RAS}$	data input hold time from \overline{RAS}	55	–	ns
$t_{su;DAT}$	data input set-up time	0	–	ns
$t_{d;OFF}$	output buffer turn off delay	3	20	ns
$t_{cy;FPR/W}$	fast page mode read or write cycle time	40	–	ns
$t_{cy;FPR-W}$	fast page mode read-write cycle time	n/a ⁽¹⁾	–	ns
$t_{acc;RAS}$	access time from \overline{RAS}	–	70	ns
$t_{dRAS;CA}$	\overline{RAS} to column address delay time	15	35	ns
$t_{h;RA}$	row address hold time	10	–	ns
$t_{W;RAS}$	\overline{RAS} pulse width	70	10000	ns
$t_{W;RASFP}$	\overline{RAS} pulse width (fast page mode)	70	100000	ns
$t_{CA;RASL}$	column address to \overline{RAS} lead time	35	–	ns
$t_{cy;R/W}$	random read or write cycle time	130	–	ns
$t_{dRAS;CAS}$	\overline{RAS} to \overline{CAS} delay time	20	50	ns
$t_{su;R}$	read command set-up time	0	–	ns
$t_{hrR;CAS}$	read command hold time (referenced to \overline{CAS})	0	–	ns
t_{REF}	refresh period	–	32	ns
t_{pRAS}	\overline{RAS} precharge time	50	–	ns
$t_{pRAS;CAS}$	\overline{RAS} to \overline{CAS} precharge time	0	–	ns
$t_{hr;RAS}$	read command hold time (referenced to \overline{RAS})	0	–	ns
$t_{h;RAS}$	\overline{RAS} hold time	20	–	ns
$t_{cy;R-W}$	read-write cycle time	n/a ⁽¹⁾	–	ns

High performance Compact
Disc-Recordable (CD-R) controller

SAA7390

SYMBOL	PARAMETER	MIN.	MAX.	UNIT
$t_{RASL;W}$	write command to RAS lead time	20	–	ns
t_{trans}	transition time (rise or fall)	3	50	ns
t_{hW}	write command hold time	15	–	ns
$t_{hW;RAS}$	write command hold time (referenced to \overline{RAS})	55	–	ns
$t_{su;WE}$	\overline{WE} command set-up time	0	–	ns
$t_{W;W}$	write command pulse width	15	–	ns
$t_{h;WE}$	\overline{WE} hold time (CBR refresh)	10	–	ns
$t_{su;WE}$	\overline{WE} set-up time (CBR refresh)	10	–	ns

Note

1. Not applicable.

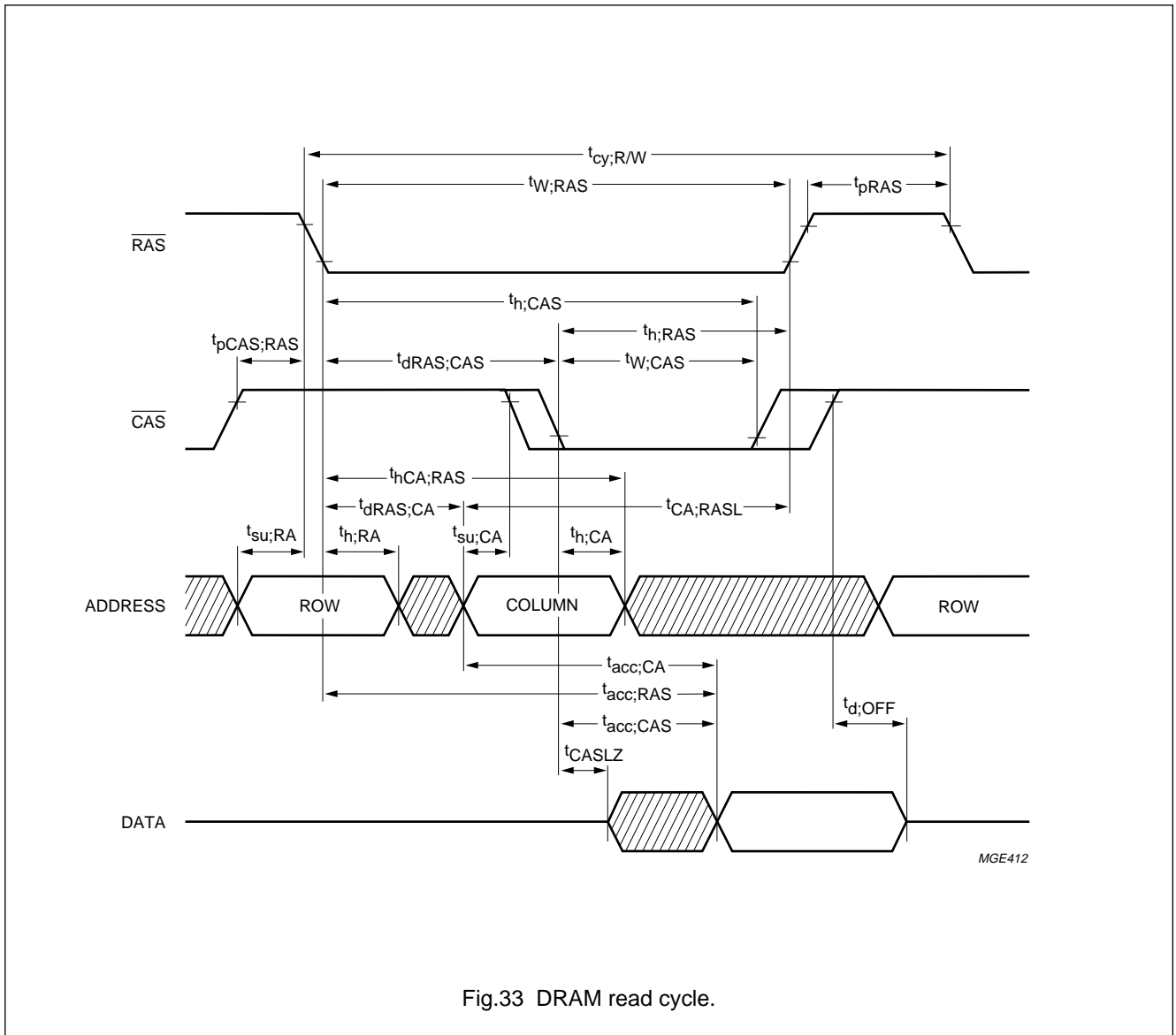


Fig.33 DRAM read cycle.

High performance Compact
Disc-Recordable (CD-R) controller

SAA7390

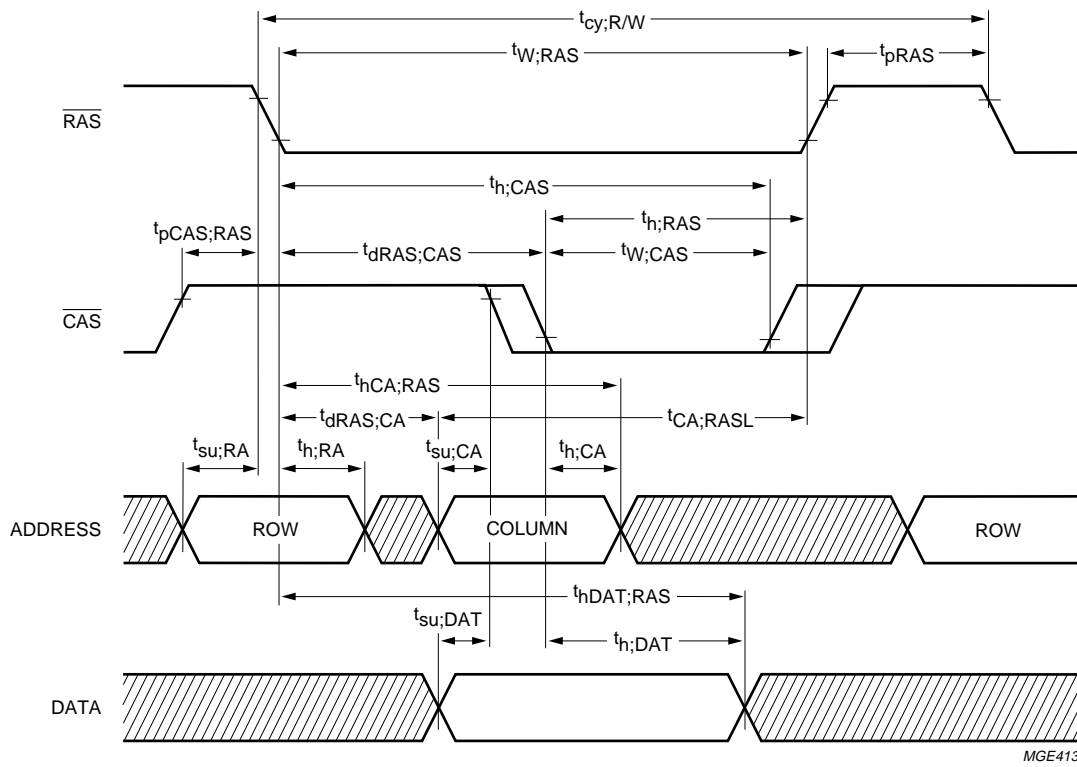


Fig.34 DRAM early write cycle.

High performance Compact
Disc-Recordable (CD-R) controller

SAA7390

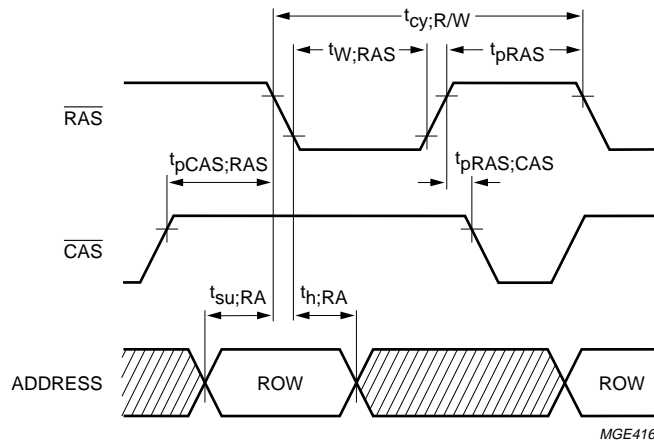


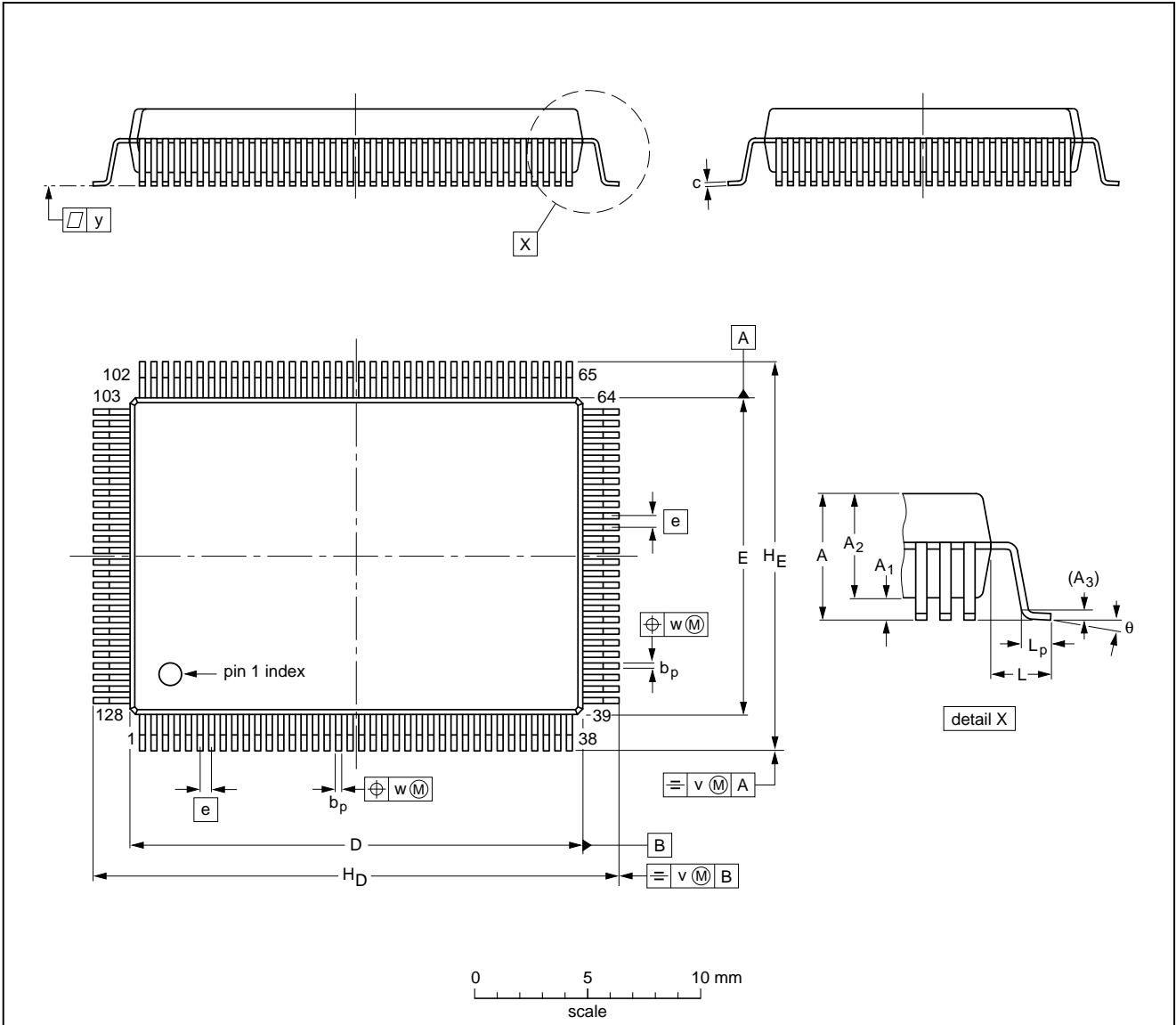
Fig.37 DRAM refresh cycle.

High performance Compact Disc-Recordable (CD-R) controller

SAA7390

16 PACKAGE OUTLINE

SQFP128: plastic shrink quad flat package; 128 leads (lead length 1.6 mm); body 14 x 20 x 2.8 mm SOT387-2



DIMENSIONS (mm are the original dimensions)

UNIT	A max.	A ₁ min.	A ₂	A ₃	b _p	c	D ⁽¹⁾	E ⁽¹⁾	e	H _D	H _E	L	L _p	v	w	y	θ
mm	3.40	0.25	3.05 2.55	0.25	0.27 0.17	0.20 0.09	20.0	14.0	0.50	23.2	17.2	1.60	0.95 0.65	0.20	0.08	0.10	7° 0°

Note

1. Plastic or metal protrusions of 0.25 mm maximum per side are not included.

OUTLINE VERSION	REFERENCES				EUROPEAN PROJECTION	ISSUE DATE
	IEC	JEDEC	EIAJ			
SOT387-2						96-03-14

High performance Compact Disc-Recordable (CD-R) controller

SAA7390

17 SOLDERING

17.1 Introduction

There is no soldering method that is ideal for all IC packages. Wave soldering is often preferred when through-hole and surface mounted components are mixed on one printed-circuit board. However, wave soldering is not always suitable for surface mounted ICs, or for printed-circuits with high population densities. In these situations reflow soldering is often used.

This text gives a very brief insight to a complex technology. A more in-depth account of soldering ICs can be found in our *"IC Package Databook"* (order code 9398 652 90011).

17.2 Reflow soldering

Reflow soldering techniques are suitable for all QFP packages.

The choice of heating method may be influenced by larger plastic QFP packages (44 leads, or more). If infrared or vapour phase heating is used and the large packages are not absolutely dry (less than 0.1% moisture content by weight), vaporization of the small amount of moisture in them can cause cracking of the plastic body. For more information, refer to the Drypack chapter in our *"Quality Reference Handbook"* (order code 9397 750 00192).

Reflow soldering requires solder paste (a suspension of fine solder particles, flux and binding agent) to be applied to the printed-circuit board by screen printing, stencilling or pressure-syringe dispensing before package placement.

Several techniques exist for reflowing; for example, thermal conduction by heated belt. Dwell times vary between 50 and 300 seconds depending on heating method. Typical reflow temperatures range from 215 to 250 °C.

Preheating is necessary to dry the paste and evaporate the binding agent. Preheating duration: 45 minutes at 45 °C.

17.3 Wave soldering

Wave soldering is **not** recommended for QFP packages. This is because of the likelihood of solder bridging due to closely-spaced leads and the possibility of incomplete solder penetration in multi-lead devices.

If wave soldering cannot be avoided, the following conditions must be observed:

- **A double-wave (a turbulent wave with high upward pressure followed by a smooth laminar wave) soldering technique should be used.**
- **The footprint must be at an angle of 45° to the board direction and must incorporate solder thieves downstream and at the side corners.**

Even with these conditions, do not consider wave soldering the following packages: QFP52 (SOT379-1), QFP100 (SOT317-1), QFP100 (SOT317-2), QFP100 (SOT382-1) or QFP160 (SOT322-1).

During placement and before soldering, the package must be fixed with a droplet of adhesive. The adhesive can be applied by screen printing, pin transfer or syringe dispensing. The package can be soldered after the adhesive is cured.

Maximum permissible solder temperature is 260 °C, and maximum duration of package immersion in solder is 10 seconds, if cooled to less than 150 °C within 6 seconds. Typical dwell time is 4 seconds at 250 °C.

A mildly-activated flux will eliminate the need for removal of corrosive residues in most applications.

17.4 Repairing soldered joints

Fix the component by first soldering two diagonally-opposite end leads. Use only a low voltage soldering iron (less than 24 V) applied to the flat part of the lead. Contact time must be limited to 10 seconds at up to 300 °C. When using a dedicated tool, all other leads can be soldered in one operation within 2 to 5 seconds between 270 and 320 °C.

High performance Compact Disc-Recordable (CD-R) controller

SAA7390

18 DEFINITIONS

Data sheet status	
Objective specification	This data sheet contains target or goal specifications for product development.
Preliminary specification	This data sheet contains preliminary data; supplementary data may be published later.
Product specification	This data sheet contains final product specifications.
Limiting values	
Limiting values given are in accordance with the Absolute Maximum Rating System (IEC 134). Stress above one or more of the limiting values may cause permanent damage to the device. These are stress ratings only and operation of the device at these or at any other conditions above those given in the Characteristics sections of the specification is not implied. Exposure to limiting values for extended periods may affect device reliability.	
Application information	
Where application information is given, it is advisory and does not form part of the specification.	

19 LIFE SUPPORT APPLICATIONS

These products are not designed for use in life support appliances, devices, or systems where malfunction of these products can reasonably be expected to result in personal injury. Philips customers using or selling these products for use in such applications do so at their own risk and agree to fully indemnify Philips for any damages resulting from such improper use or sale.

Philips Semiconductors – a worldwide company

Argentina: see South America

Australia: 34 Waterloo Road, NORTH RYDE, NSW 2113,
Tel. +61 2 9805 4455, Fax. +61 2 9805 4466

Austria: Computerstr. 6, A-1101 WIEN, P.O. Box 213,
Tel. +43 1 60 101, Fax. +43 1 60 101 1210

Belarus: Hotel Minsk Business Center, Bld. 3, r. 1211, Volodarski Str. 6,
220050 MINSK, Tel. +375 172 200 733, Fax. +375 172 200 773

Belgium: see The Netherlands

Brazil: see South America

Bulgaria: Philips Bulgaria Ltd., Energoproject, 15th floor,
51 James Bourchier Blvd., 1407 SOFIA,
Tel. +359 2 689 211, Fax. +359 2 689 102

Canada: PHILIPS SEMICONDUCTORS/COMPONENTS,
Tel. +1 800 234 7381, Fax. +1 708 296 8556

China/Hong Kong: 501 Hong Kong Industrial Technology Centre,
72 Tat Chee Avenue, Kowloon Tong, HONG KONG,
Tel. +852 2319 7888, Fax. +852 2319 7700

Colombia: see South America

Czech Republic: see Austria

Denmark: Prags Boulevard 80, PB 1919, DK-2300 COPENHAGEN S,
Tel. +45 32 88 2636, Fax. +45 31 57 1949

Finland: Sinikalliontie 3, FIN-02630 ESPOO,
Tel. +358 615 800, Fax. +358 615 80920

France: 4 Rue du Port-aux-Vins, BP317, 92156 SURESNES Cedex,
Tel. +33 1 40 99 6161, Fax. +33 1 40 99 6427

Germany: Hammerbrookstraße 69, D-20097 HAMBURG,
Tel. +49 40 23 52 60, Fax. +49 40 23 536 300

Greece: No. 15, 25th March Street, GR 17778 TAVROS,
Tel. +30 1 4894 339/911, Fax. +30 1 4814 240

Hungary: see Austria

India: Philips INDIA Ltd, Shivsagar Estate, A Block, Dr. Annie Besant Rd.
Worli, MUMBAI 400 018, Tel. +91 22 4938 541, Fax. +91 22 4938 722

Indonesia: see Singapore

Ireland: Newstead, Clonskeagh, DUBLIN 14,
Tel. +353 1 7640 000, Fax. +353 1 7640 200

Israel: RAPAC Electronics, 7 Kehilat Saloniki St, TEL AVIV 61180,
Tel. +972 3 645 0444, Fax. +972 3 648 1007

Italy: PHILIPS SEMICONDUCTORS, Piazza IV Novembre 3,
20124 MILANO, Tel. +39 2 6752 2531, Fax. +39 2 6752 2557

Japan: Philips Bldg 13-37, Kohnan 2-chome, Minato-ku, TOKYO 108,
Tel. +81 3 3740 5130, Fax. +81 3 3740 5077

Korea: Philips House, 260-199 Itaewon-dong, Yongsan-ku, SEOUL,
Tel. +82 2 709 1412, Fax. +82 2 709 1415

Malaysia: No. 76 Jalan Universiti, 46200 PETALING JAYA, SELANGOR,
Tel. +60 3 750 5214, Fax. +60 3 757 4880

Mexico: 5900 Gateway East, Suite 200, EL PASO, TEXAS 79905,
Tel. +1 800 234 7381, Fax. +1 708 296 8556

Middle East: see Italy

Netherlands: Postbus 90050, 5600 PB EINDHOVEN, Bldg. VB,
Tel. +31 40 27 83749, Fax. +31 40 27 88399

New Zealand: 2 Wagener Place, C.P.O. Box 1041, AUCKLAND,
Tel. +64 9 849 4160, Fax. +64 9 849 7811

Norway: Box 1, Manglerud 0612, OSLO,
Tel. +47 22 74 8000, Fax. +47 22 74 8341

Philippines: Philips Semiconductors Philippines Inc.,
106 Valero St. Salcedo Village, P.O. Box 2108 MCC, MAKATI,
Metro MANILA, Tel. +63 2 816 6380, Fax. +63 2 817 3474

Poland: Ul. Lukiska 10, PL 04-123 WARSZAWA,
Tel. +48 22 612 2831, Fax. +48 22 612 2327

Portugal: see Spain

Romania: see Italy

Russia: Philips Russia, Ul. Usatcheva 35A, 119048 MOSCOW,
Tel. +7 095 926 5361, Fax. +7 095 564 8323

Singapore: Lorong 1, Toa Payoh, SINGAPORE 1231,
Tel. +65 350 2538, Fax. +65 251 6500

Slovakia: see Austria

Slovenia: see Italy

South Africa: S.A. PHILIPS Pty Ltd., 195-215 Main Road Martindale,
2092 JOHANNESBURG, P.O. Box 7430 Johannesburg 2000,
Tel. +27 11 470 5911, Fax. +27 11 470 5494

South America: Rua do Rocio 220, 5th floor, Suite 51,
04552-903 São Paulo, SÃO PAULO - SP, Brazil,
Tel. +55 11 821 2333, Fax. +55 11 829 1849

Spain: Balmes 22, 08007 BARCELONA,
Tel. +34 3 301 6312, Fax. +34 3 301 4107

Sweden: Kottbygatan 7, Akalla, S-16485 STOCKHOLM,
Tel. +46 8 632 2000, Fax. +46 8 632 2745

Switzerland: Allmendstrasse 140, CH-8027 ZÜRICH,
Tel. +41 1 488 2686, Fax. +41 1 481 7730

Taiwan: PHILIPS TAIWAN Ltd., 23-30F, 66,
Chung Hsiao West Road, Sec. 1, P.O. Box 22978,
TAIPEI 100, Tel. +886 2 382 4443, Fax. +886 2 382 4444

Thailand: PHILIPS ELECTRONICS (THAILAND) Ltd.,
209/2 Sanpavuth-Bangna Road Prakanong, BANGKOK 10260,
Tel. +66 2 745 4090, Fax. +66 2 398 0793

Turkey: Talatpasa Cad. No. 5, 80640 GÜLTEPE/ISTANBUL,
Tel. +90 212 279 2770, Fax. +90 212 282 6707

Ukraine: PHILIPS UKRAINE, 2A Akademika Koroleva str., Office 165,
252148 KIEV, Tel. +380 44 476 0297/1642, Fax. +380 44 476 6991

United Kingdom: Philips Semiconductors Ltd., 276 Bath Road, Hayes,
MIDDLESEX UB3 5BX, Tel. +44 181 730 5000, Fax. +44 181 754 8421

United States: 811 East Arques Avenue, SUNNYVALE, CA 94088-3409,
Tel. +1 800 234 7381, Fax. +1 708 296 8556

Uruguay: see South America

Vietnam: see Singapore

Yugoslavia: PHILIPS, Trg N. Pasica 5/v, 11000 BEOGRAD,
Tel. +381 11 825 344, Fax. +381 11 635 777

For all other countries apply to: Philips Semiconductors, Marketing & Sales Communications, Building BE-p, P.O. Box 218, 5600 MD EINDHOVEN, The Netherlands, Fax. +31 40 27 24825

Internet: <http://www.semiconductors.philips.com/ps/>

© Philips Electronics N.V. 1996

SCA50

All rights are reserved. Reproduction in whole or in part is prohibited without the prior written consent of the copyright owner.

The information presented in this document does not form part of any quotation or contract, is believed to be accurate and reliable and may be changed without notice. No liability will be accepted by the publisher for any consequence of its use. Publication thereof does not convey nor imply any license under patent- or other industrial or intellectual property rights.

Printed in The Netherlands

517021/50/01/pp76

Date of release: 1996 Jul 02

Document order number: 9397 750 00942

Let's make things better.

**Philips
Semiconductors**



PHILIPS